

# IP-RCA

## IPX COMPATIBLE DECORA RCA WALL PLATE



### TECHNICAL DATA SHEET

#### PRODUCT SUMMARY

The IP-RCA Decora RCA Wall Plate is the perfect solution for seamless audio integration within the IPX product line. Designed for commercial AV installations, this high-quality wall plate ensures reliable connectivity and superior audio performance.

#### KEY FEATURES

- Seamless IPX Integration
- High-Quality Gold-Plated RCA Connectors
- Balanced Output
- Mono-Summed RCA Inputs
- Electrical Isolation
- Easy Installation
- Sleek Decora-Style Design

#### APPLICATIONS

The IP-RCA Decora RCA Wall Plate is a valuable asset in the education sector, where clear and reliable audio transmission is essential for effective learning environments. In classrooms, lecture halls, and auditoriums, this wall plate allows seamless integration of computers, digital displays, and audio sources into IPX products. Balanced output and electrical isolation minimize interference, ensuring that instructors and students receive clear, high-quality sound. Whether used for interactive learning, distance education, or multimedia presentations, the IP-RCA enhances engagement and ensures smooth audio delivery.

In industrial settings, the IP-RCA supports critical audio applications in manufacturing plants, warehouses, and control rooms. Many industrial facilities require public address systems, safety announcements, and communication networks that need reliable audio distribution. The rugged gold-plated RCA connectors ensure long-lasting durability in high-demand environments, while electrical isolation helps eliminate ground loops and interference from heavy machinery and power equipment. This makes it an excellent choice for facilities needing stable and interference-free audio connections to support operational efficiency and worker safety.

The medical industry also benefits from the IP-RCA's high-quality audio performance. In hospitals, clinics, and medical training facilities, clear communication is critical. Additionally, its easy installation and Decora-style design make it a discreet yet highly functional addition to medical environments where space and aesthetics matter. By providing reliable, interference-free audio, the IP-RCA helps enhance medical training and real-time communication in critical healthcare settings.

# IP-RCA

## IPX COMPATIBLE DECORA RCA WALL PLATE



### TECHNICAL DATA SHEET

#### AUDIO SPECIFICATIONS / PERFORMANCE

SPEC	VALUE
Model Number	IP-RCA
Frequency Response ( $\pm 1$ dB)	30Hz - 20kHz
Power	Passive
Input Connectors	2x Gold Plated RCA Plugs (Red and White)
Output Connectors	Barrier Block
Product Height	4.13" (10.49cm)
Product Width	1.7" (4.32cm)
Product Depth	1.75" (4.45cm)
Warranty Coverage	
Warranty Period	5 Year

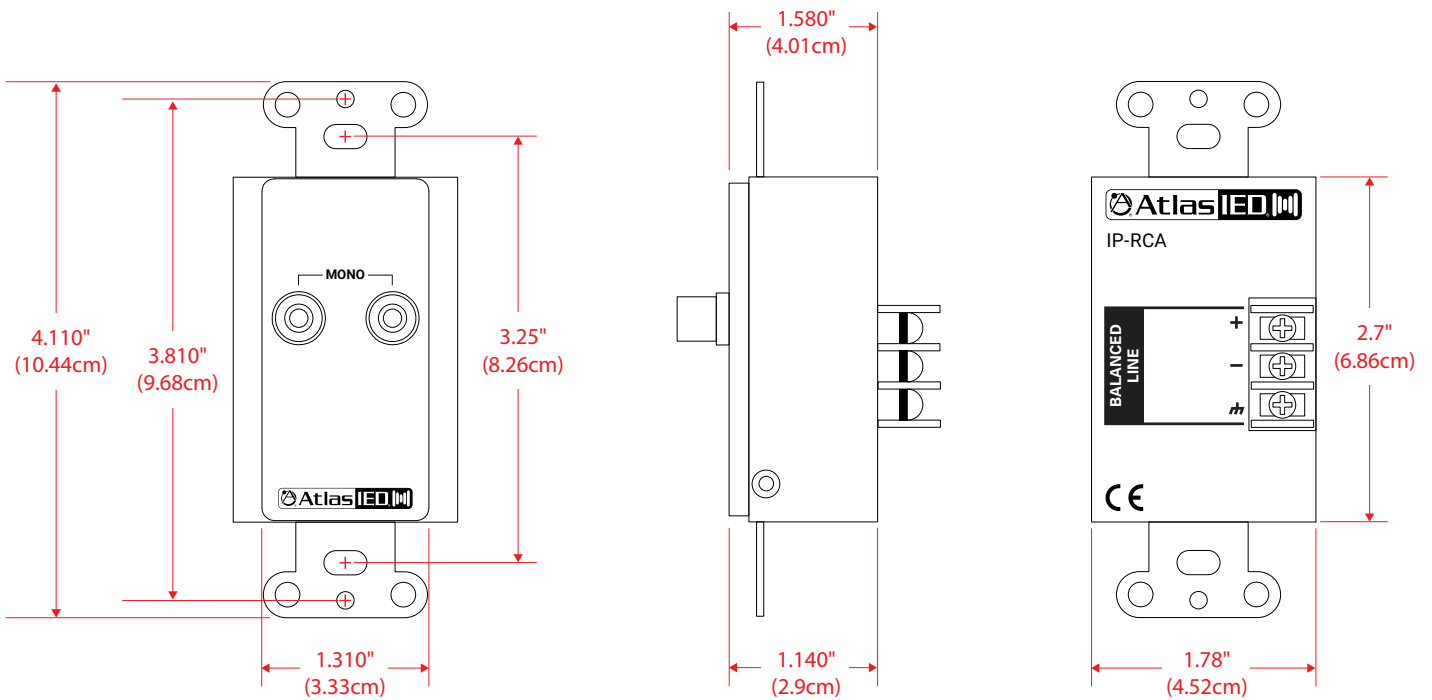
# IP-RCA

## IPX COMPATIBLE DECORA RCA WALL PLATE



### TECHNICAL DATA SHEET

### DIMENSIONAL DRAWING



©2025 Atlas Sound LP. The Atlas "Circle A" Soundolier, and Atlas Sound are trademarks of Atlas Sound LP. IED is a Registered Trademark of Innovative Electronic Designs LLC. All rights reserved. All other Trademarks are property of their respective owners. No endorsement is implied. Due to continual product development, specifications are subject to change without notice. AT5008261 RevB 4/26