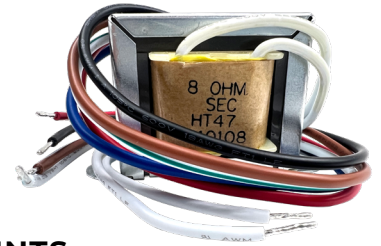


IP-HT47

4W AUDIO TRANSFORMER KIT FOR USE WITH IPX ACTIVE ENDPOINTS



TECHNICAL DATA SHEET

PRODUCT SUMMARY

The AtlasIED IP-HT47 is an impedance matching transformer kit for use with most IPX Audio or Visual IP endpoints. The kit allows an IP endpoint to provide extended audio coverage utilizing two or more 70V external loudspeakers. The kit includes everything needed to retrofit an existing IP endpoint.

KEY FEATURES

- Low insertion loss transformer
- WAGO™ 221 series wire nuts
- All installation hardware included

APPLICATIONS

When joined with an AtlasIED IPX audio or visual endpoint, that is registered as a communication endpoint directly within InformaCast, GCK, and SA-Announce advanced notifications, the IP-HT47 can drive 70V constant voltage loudspeakers to increase audio coverage area. This can improve the day-to-day communications through advanced alerting, bell schedules, pre-recorded & scheduled announcements, while leveraging the WAN or LAN network architecture.

When used within a Cisco ecosystem and combined with an AtlasIED IPX audio or visual IP endpoint, the IP-HT47 can drive 70V speakers that can join Cisco's Unified Survivable Remote Site Telephony (SRST) as a supported device. Cisco's SRST provides remote location call-processing redundancy when access to the centralized Cisco Unified Communications Manager is interrupted because of a WAN outage. The ability of LAN communication between any combination of phones and speakers is particularly critical during an emergency (which may be the actual cause of the WAN outage).

Where 3rd party notification applications are not required, the IP-SA speakers can be attached to any IPX audio or visual IP endpoint that is registered as a SIP device directly to a SIP server or VoIP Communications Manager for critical alerts, intercom and public address applications.

IP-HT47

4W AUDIO TRANSFORMER KIT FOR USE WITH IPX ACTIVE ENDPOINTS



TECHNICAL DATA SHEET

AUDIO SPECIFICATIONS / PERFORMANCE

TRANSFORMER	
Model Number	HT47
Frequency Response (\pm 1dB)	60Hz – 12kHz
Tap Power Ratings (W)	0.5, 1, 2, 4
Insertion Loss (dB)	1.0
Maximum Power Rating (W)	4
HT47	

CABLE CONNECTORS	
Cable Size Range	24 – 12 AWG
Current Rating	20A
Voltage Rating	600V
UL Approvals	UL 486C

SELF TAPPING SCREWS	
Head Type	1/4" Slotted Hex Washer Head
Length	0.375"
Thread Size	#8-18 Thread Forming Type AB

ADHESIVE TAPE	
Dimensions	2.50" (63.5mm) x 0.045" (12.7mm)
Adhesive Type	3M 5952 VHB Acrylic foam tape
UL Approvals	UL 746C, UL 879

SYSTEM	
Compatible Backboxes	IP-SEST-S, IP-SEST-SD, IP-SEA-S, IP-SEA-SD, IP-FEST-SD, IP-FEST-S, IP-SEST-HPV, IP-FEST-HPV, IP-FEC-DM, IP-SEC-DM,
Warranty Coverage	
Warranty Period	5 Years

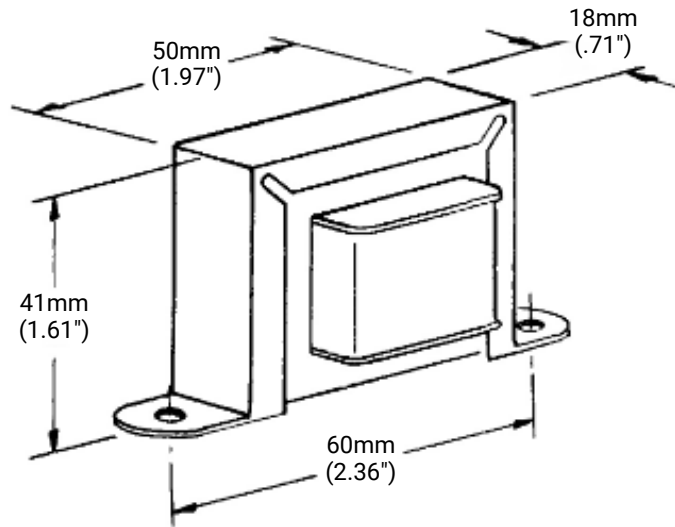
IP-HT47

4W AUDIO TRANSFORMER KIT FOR USE WITH IPX ACTIVE ENDPOINTS



TECHNICAL DATA SHEET

DIMENSIONAL DRAWING



IP-HT47

4W AUDIO TRANSFORMER KIT FOR USE WITH IPX ACTIVE ENDPOINTS



TECHNICAL DATA SHEET

ARCHITECT AND ENGINEER SPECS

The transformer shall be AtlasIED model IP-HT47 and shall be capable of delivering its full rated power within 60Hz – 12kHz (± 1 dB). The maximum rated power shall be 4W. The insertion loss shall not exceed 1.0dB.

The transformer shall be designed for 70.7V loudspeakers.