

# IP-HVP

## PoE+ VANDAL AND WEATHER RESISTANT WALL MOUNT IP ENDPOINT WITH HORN SPEAKER

### TECHNICAL DATA SHEET



### PRODUCT SUMMARY

AtlasIED IP-HVP is a vandal proof, weather resistant, wall mount IP endpoint with high-output horn. It complements the Unified Communication (VoIP communications) investment including on-premise and hosted infrastructure platforms so that information can be pushed to people and spaces beyond the world of desktop telephony communication, breaking traditional audio-path barriers. The outer grille is vandal and weather resistant, manufactured of cast aluminum alloy, providing security and durability in indoor and outdoor applications.

### APPLICATIONS

AtlasIED IP-HVP registers as a communication endpoint directly within Singlewire®, AtlasIED®, and Syn-Apps® notification applications, supporting audio broadcast to enhance physical security while improving day-to-day communications through advanced alerting, bell schedules and pre-recorded & scheduled announcements, while leveraging the WAN or LAN network architecture.

AtlasIED IP-HVP supports Call Manager publisher subscriber SIP Service call processing failover. This service provides remote location call-processing redundancy when access to the centralized Call Manager is interrupted because of a WAN outage. In a Cisco® UMC environment, IPX endpoints can register to either Cisco's basic or advanced 3rd party SIP device service for intercom or paging functionality. IPX must use Cisco's advanced 3rd party SIP device service when registering to a publisher subscriber configuration is required.

Where 3rd party notification applications are not required, IP-HVP endpoint can register as a SIP device directly to a SIP server or VoIP Communications Manager for critical alerts and public address applications.

### KEY FEATURES

#### Network Features

- Dynamic or Static IP Address
- IEEE 802.3 10/100Base-T Ethernet
- IEEE 802.1q Tagging
- IEEE 802.3at Compliant

#### Audio Codec Support

- G.711 u-law / a-law (16 kbit/s)
- G.722 Wideband Audio (64 kbit/s)

#### Auto Registration

- SLP for Singlewire Applications
- DNS SRV for Singlewire Applications
- DHCP Option 72 for Syn-Apps' Applications
- IEDNet+ for AtlasIED Applications

#### Static Configuration

- HTTP GUI for Static Configuration

#### Audio Features

- Integrated Amplifier with Secondary 8Ω output
- Aux Audio Line-In Balanced (2.8Vpp 10K)
- Aux Audio Line-Out Balanced (2.8Vpp 10K)
- Highly Efficient Horn Speaker Provides Greater Output and Coverage
- Can send 1 Static Multicast Stream (Line-in or Mic to Multicast Out)
- Can listen up to 10 Static Multicast Streams

#### Additional Features

- 2 General Purpose Inputs
- 1 General Purpose Output (2A @ 30 VDC)
- Phone / Night Loud Ringer
- External Power Supply Option

# IP-HVP

## PoE+ VANDAL AND WEATHER RESISTANT WALL MOUNT IP ENDPOINT WITH HORN SPEAKER

### TECHNICAL DATA SHEET



### AUDIO SPECIFICATIONS / PERFORMANCE

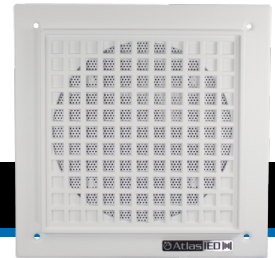
| SYSTEM                                  |  |
|---|--|
| Type                                    | PoE+ Vandal and Weather Resistant Wall Mount IP Endpoint with High-Output Horn                                     |
| Operation Temp.                         | -20°C (-4°F) to 70°C (158°F)   |
| Indicators                              | Network Status (On Back)   |
| Frequency Response (+/- 5dB)            | 600 - 14,000 Hz (Nominal)  |
| Vertical Coverage                       | 95° (-6dB, 2000 Hz Octave Band)  |
| Horizontal Coverage                     | 95° (-6dB, 2000 Hz Octave Band)  |
| Directivity Factor (Q)                  | 7.3 @ 2 kHz  |
| Max SPL at 1m (Passive)                 | 120dB at 15 Watts (Peak)   |
| General Purpose Interface               | Two Trigger Inputs / One Relay Output (2A @ 30 VDC)  |
| TRANSDUCERS                             |  |
| Transducer Qty and Size                 | (1) 3.8" (97mm)  |
| Voice Coil Size                         | 1.25" (32mm)   |
| Cone Material                           | Double Entrant Compression Driver  |
| Sensitivity                             | 104dB at 1 Watt / 1 Meter Average  |
| AMPLIFICATION                           |  |
| Type                                    | Single-Channel Class D Topology with Primary and Secondary Outputs   |
| AC Power Input                          | PoE+ and External 24VDC  |
| Power Rating (RMS)                      | 25-Watts Max (802.3AT)   |
| THD                                     | <0.2%  |
| Cooling                                 | Passive / Convection   |
| Driver Protection                       | Built-In Limiter   |
| AUDIO INPUTS AND OUTPUTS                |  |
| Input: Analog Audio Type(s)             | One Balanced Line Level  |
| Input: Analog Connectivity              | Secured Screw Terminal Block   |
| Input: Network Audio Type(s)            | G.711 U-Law / A-Law and G.722 Capable  |
| Input: Multicast Permanent Stream       | Registered Subscriber/s for up to 10 Different Streams   |
| Input: Network Connectivity             | RJ-45 female   |
| Output: Analog Audio Type(s)            | One Balanced Line Level  |
| Output: Multicast Permanent Stream      | One Broadcast Using Line-In or Integrated Microphone<br>*** Note: Audio Does Not Play out of the Sending Device*** |
| Output: Analog Connectivity             | Secured Screw Terminal Block   |
| Output: Digital Audio Type(s)           | G.711 U-Law / A-Law and G.722 Capable (Multicast)  |
| Output: Digital Connectivity            | N/A  |
| Output: Speaker Level                   | 8Ω, 25-Watts (802.3AT)   |
| Output: Speaker Connectivity            | Primary and Slave Secured Screw Terminal Block   |
| SOFTWARE                                |  |
| AtlasIED GCK Compatible Version         | 7.0+   |
| InformaCast Advanced Compatible Version | 4.0+   |
| InformaCast Fusion Compatible Version   | 3.0+   |
| SA-Announce Compatible Versions         | 9.0.18+  |
| Intrado Revolution Compatible Versions  | V2017.3.1+   |

(CONTINUED ON NEXT PAGE)

# IP-HVP

## PoE+ VANDAL AND WEATHER RESISTANT WALL MOUNT IP ENDPOINT WITH HORN SPEAKER

### TECHNICAL DATA SHEET



### SPECIFICATIONS / PERFORMANCE (CONTINUED)

| NETWORK                       |  |
|-------------------------------|--|
| Ethernet                      | IEEE 802.3 10/100Base-T  |
| PoE                           | IEEE 802.3 AT Compliant  |
| VLAN                          | IEEE 802.1q Tagging  |
| PROTOCOLS                     |  |
| IP Addressing                 | DHCP / Static  |
| LLDP-MED                      | PoE Power Negotiation  |
| Auto-Registration             | HTTP / Service Location Protocol / DNS SRV / IEDNet+ / DHCP Option 72 and Option 150 |
| Time                          | NTP or Host Server   |
| Telephony                     | SIP  |
| ENCLOSURE                     |  |
| Color                         | White  |
| Grille Material               | Powder Coated and Perforated Cast Aluminum Alloy                                     |
| Baffle Material               | 18-Gauge Corrosion-Resistant Zinc Plated Steel                                       |
| Mounting / Rigging Provisions | Mounting Enclosure is Not Included (See Optional Enclosure)                          |
| Safety Agency Ratings         | ETL Listed to Comply with 62368-1, CSA C22.2 #62368-1, IEC 62368-1 CB Scheme and FCC |
| Ingress Protection            | IP-45  |
| Logo                          | Silver and Black   |
| Product Dimensions (HxWxD)    | 10.75" x 10.75" x 4.5" (273mm x 273mm x 114mm)                                       |
| Shipping Dimensions (HxWxD)   | 11.75" x 11.75" x 7" (299mm x 299mm x 178mm)   |
| Net Weight - lbs              | 5.11lbs (2.32kg)   |
| Shipping Weight - lbs         | 6.54lbs (3kg)  |
| WARRANTY COVERAGE             |  |
| Warranty Period               | 5 Year   |

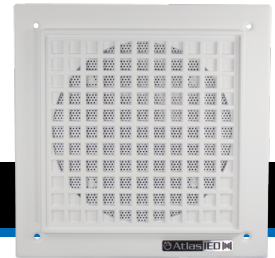
**Note:**

1. Sensitivity: Half space pink noise measurement at 6 ft (1.8 m) at 20% power; extrapolated to 1 meter and an input of 2.83 volts RMS.
2. Watts: All wattage figures are calculated using the rated nominal impedance.
3. Frequency response and sensitivity are half-space measurements.

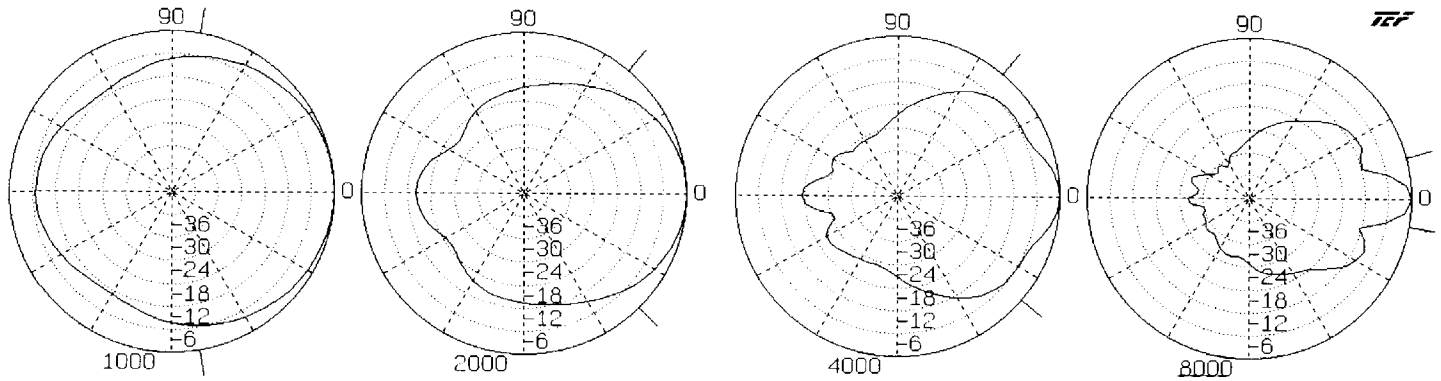
# IP-HVP

PoE+ VANDAL AND WEATHER RESISTANT WALL MOUNT  
IP ENDPOINT WITH HORN SPEAKER

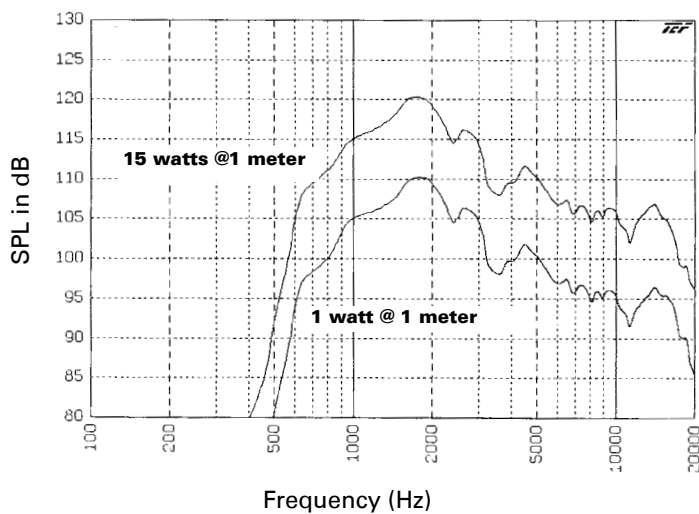
TECHNICAL DATA SHEET



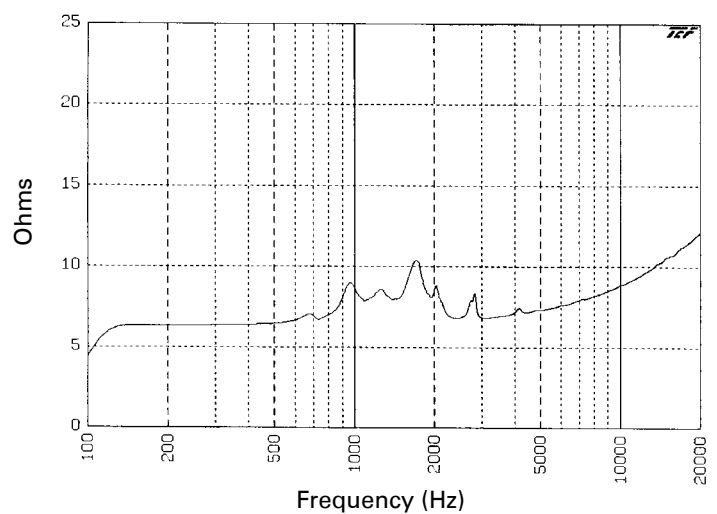
Polars Are Normalized To Zero On Axis (-6dB)



## Frequency Response



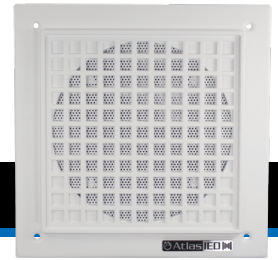
## Impedance



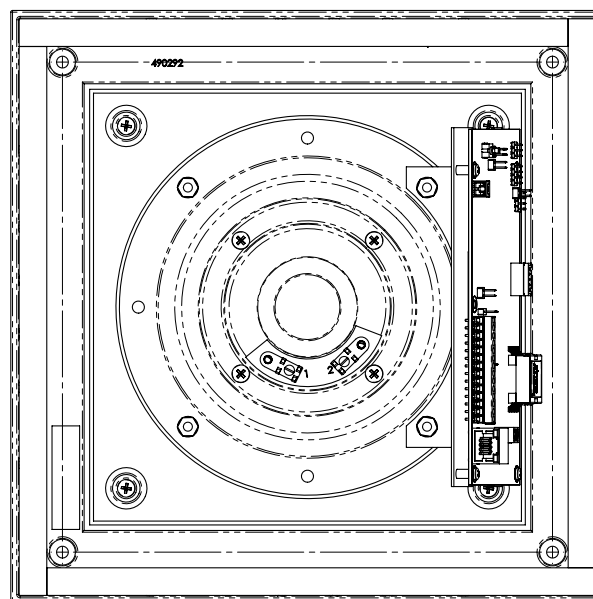
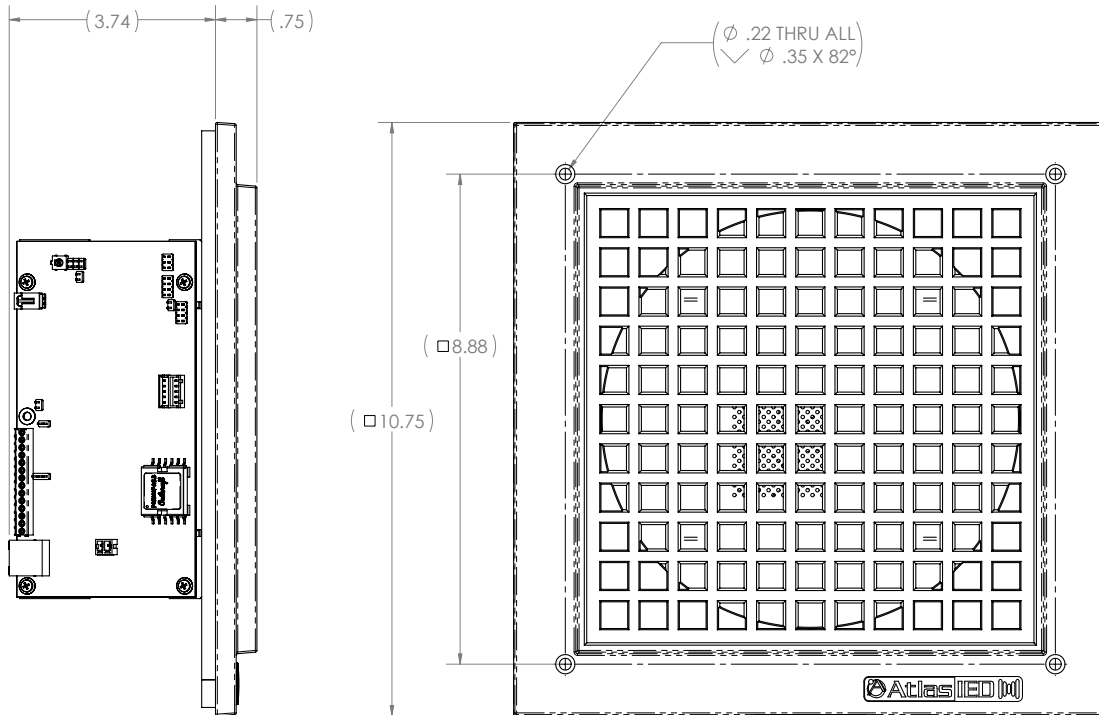
# IP-HVP

PoE+ VANDAL AND WEATHER RESISTANT WALL MOUNT  
IP ENDPOINT WITH HORN SPEAKER

## TECHNICAL DATA SHEET



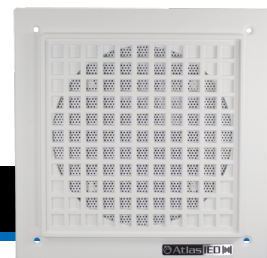
## DIMENSIONAL DRAWING



# IP-HVP

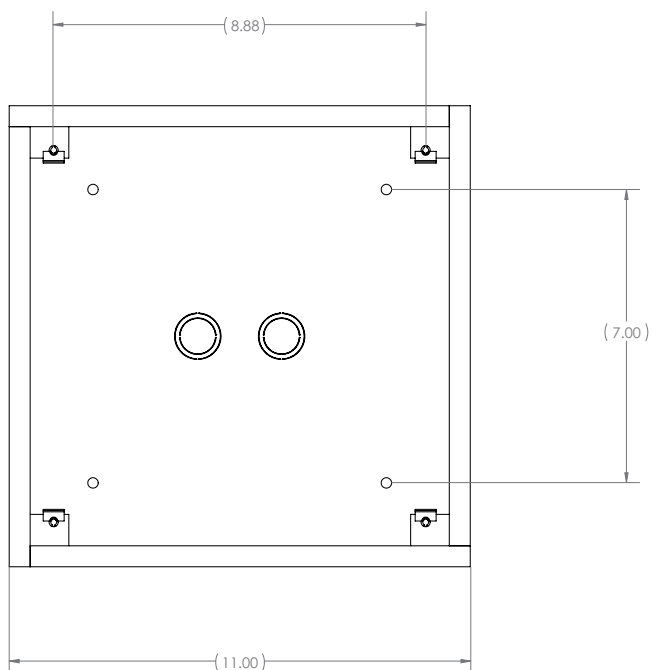
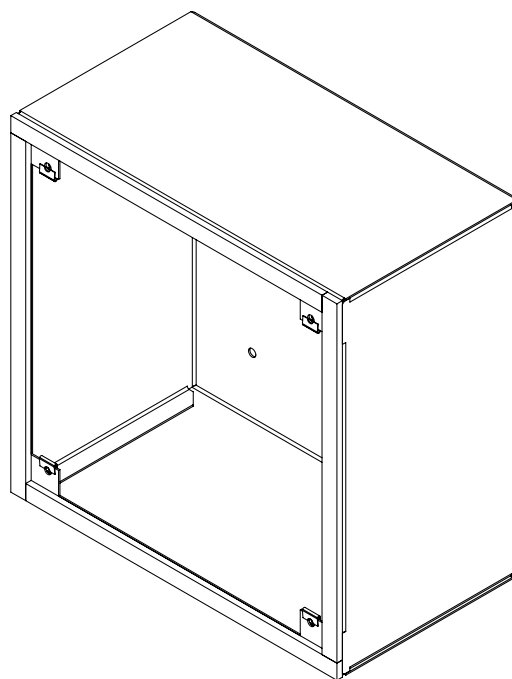
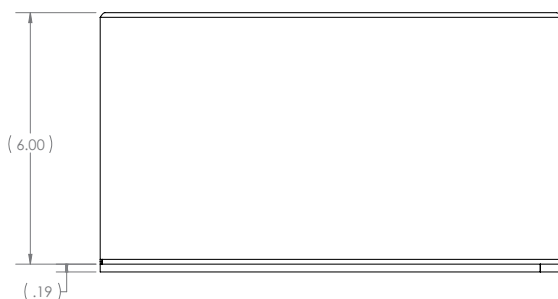
PoE+ VANDAL AND WEATHER RESISTANT WALL MOUNT  
IP ENDPOINT WITH HORN SPEAKER

TECHNICAL DATA SHEET



## DIMENSIONAL DRAWING

Accessories  
IP-SEST-IH



# IP-HVP

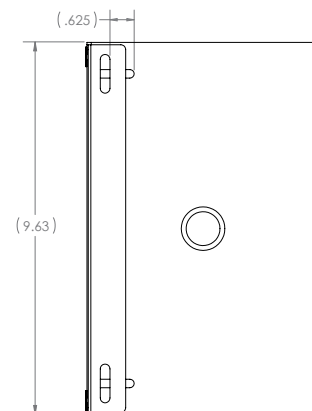
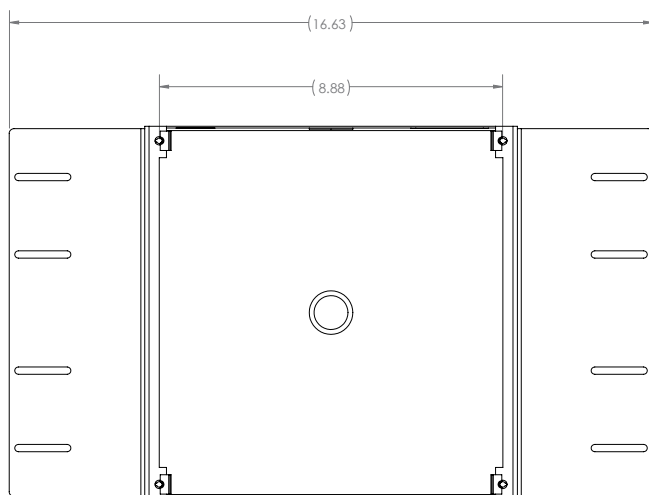
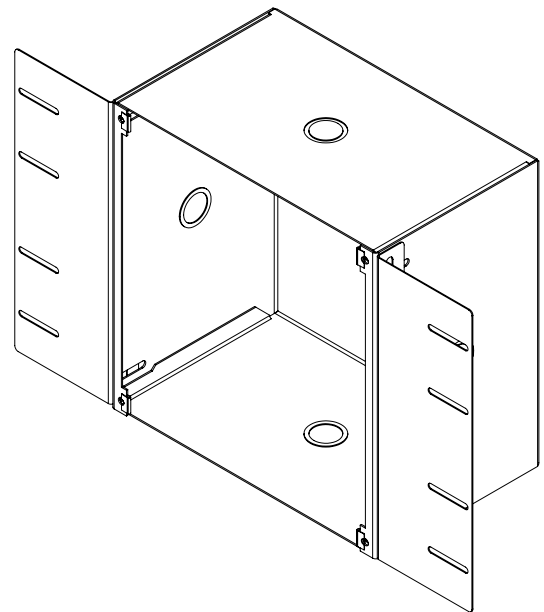
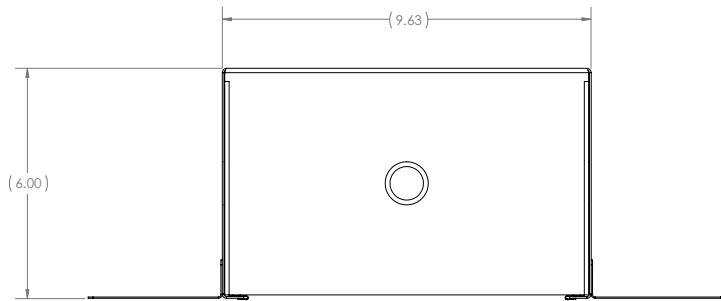
PoE+ VANDAL AND WEATHER RESISTANT WALL MOUNT  
IP ENDPOINT WITH HORN SPEAKER

TECHNICAL DATA SHEET



## DIMENSIONAL DRAWING

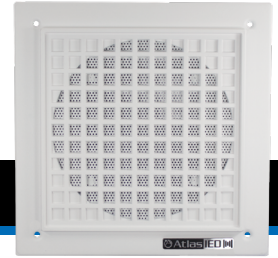
Accessories  
IP-FEST-IH



# IP-HVP

## PoE+ VANDAL AND WEATHER RESISTANT WALL MOUNT IP ENDPOINT WITH HORN SPEAKER

### TECHNICAL DATA SHEET



### ARCHITECT AND ENGINEER SPECS

The unit shall be AtlasIED model IP-HVP. The PoE+ vandal-proof indoor/outdoor IP endpoint audio system shall include factory assembled horn, IP addressable PCB amplifier/control, and cast aluminum alloy baffle.

The horn shall be a double re-entrant type with a 3.8" high-output compression driver mounted within weather-resistant housing. The impedance shall be 8  $\Omega$  and a voice coil diameter of 1.25" (32mm). Frequency response shall be 600-14,000 Hz (nominal), 700-5500 Hz ( $\pm$  5dB). Sound pressure level shall be 114dB at 1-Watt/1 meter, 104dB at 1-Watt/1 meter, and max peak output at 1m shall be 120dB SPL. Sound dispersion angle shall be 95°. The Horn dimensions shall be diameter 55/8" x D 37/16" x Flange 615/16".

The amplifier/control board shall receive announcements and messages using dynamically routed data on a standard Ethernet network. It shall include a single-channel class D topology amplifier with primary and secondary outputs capable of producing 25-watts RMS when using an IEEE 802.3at compatible PoE+ switch or 24VDC local power supply. Interconnect shall be via female RJ-45 connector mounted to the PCB.

The amplifier/control board shall include (2) logic inputs, (1) relay output, (1) auxiliary balanced line level audio input and (1) balanced line level audio output. The auxiliary line level input shall include an auto mute function that is activated when a broadcast is sensed from the control application.

The amplifier/control board shall include a Graphical User Interface (GUI) for SIP configuration. The SIP implementation shall support standards G.711, G.722 and RTP protocols. The GUI shall configure and manage logic inputs, relay outputs, and auxiliary audio input.

All control functionality shall be determined via software. It shall be compatible with AtlasIED's GCK, Syn-Apps' SA-Announce or Revolution, Singlewire's InformaCast software platforms and SIP standalone operation. The PoE+ indoor/outdoor IP endpoint audio system overall dimensions shall be 10.75" (273mm) x 10.75" (273mm) x 4.49" (114mm). The vandal-proof grille shall be cast from self-aging aluminum alloy with a tensile strength of 44,000 P.S.I with a textured white epoxy finish.

#### Optional enclosures shall include:

- |                   |   |
|-------------------|---|
| <b>IP SEST-IH</b> | Surface mount enclosure for IP-HVP<br>neutral white finish  |
| <b>IP-FEST-IH</b> | Flush mount enclosure for IP-HVP<br>neutral stainless steel |