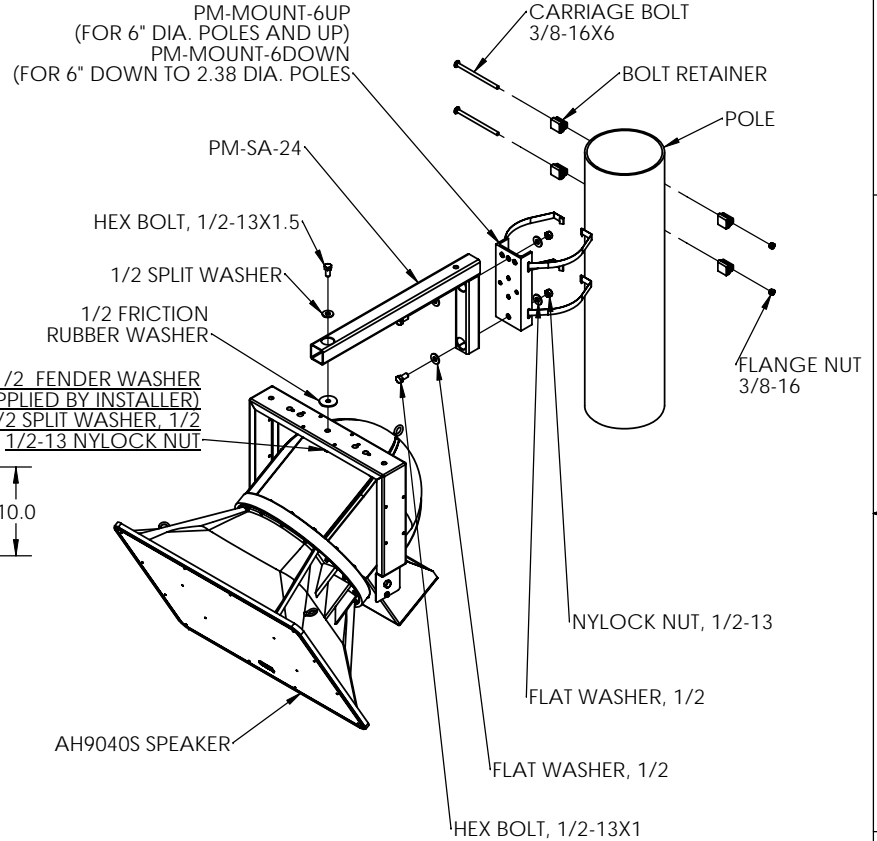
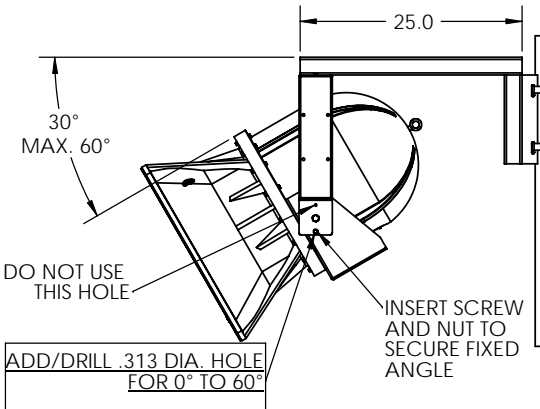
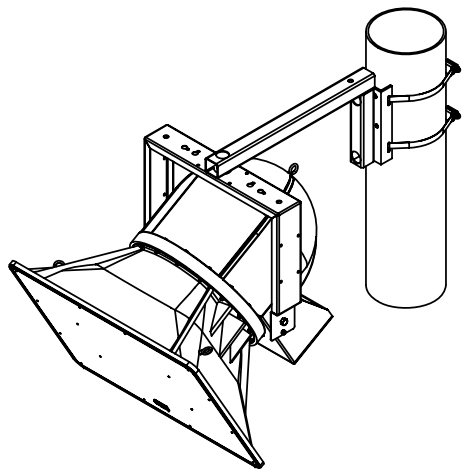
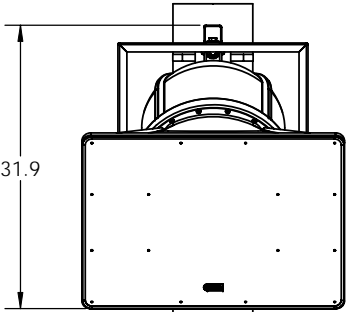
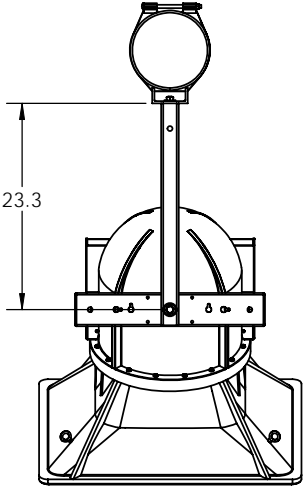


8 7 6 5 4 3 2 1

**ATLAS AH 15" FLIPPED SPEAKER VIEW**



EQUIPMENT					
ITEM #:	MODEL #:	DESCRIPTION	QTY	WEIGHT (LBS)	ACCUMULATED WEIGHT
1	AH9040S	15" MODEL SPEAKER	1	100 LBS	100 LBS
2	PM-SA-24	24" SUPPORT ARM	1	8.5 LBS	8.5 LBS
3	PM-MOUNT-6UP	POLE MOUNT FOR 6" AND LARGER DIAMETER POLES	1	5.0 LBS	5.0 LBS
4	PM-BAND-30	BANDING KIT FOR 9" DIA. DOWN TO 4" POLES	1	2.0 LBS	2.0 LBS
<b>TOTAL WEIGHT</b>					<b>115.5 LBS</b>

NOTES: MUST INSTALL WITH SAFETY CABLE  
 APPLICATION DRAWING FEATURES THE AH9040S. MODELS AH5040S AND AH6565S ALSO APPLY TO DESIGN

<b>PROPRIETARY AND CONFIDENTIAL</b> THIS DRAWING IS THE PROPERTY OF ALLEN PRODUCTS CO. AND EMBODIES A PROPRIETARY DESIGN ORIGINATED BY ALLEN PRODUCTS CO. ALL DESIGN, MANUFACTURE, REPRODUCTION, USE AND SALE RIGHTS REGARDING THE SAME ARE EXPRESSLY RESERVED. THIS DRAWING MAY NOT BE REPRODUCED OR INFORMATION HEREIN TRANSMITTED IN ANY WAY WITHOUT WRITTEN CONSENT FROM ALLEN PRODUCTS CO. ALL PATENT RIGHTS HERETO ARE EXPRESSLY RESERVED BY ALLEN PRODUCTS CO. SIGNAL HILL, CALIFORNIA	UNLESS OTHERWISE SPECIFIED: DIMENSIONS ARE IN INCHES TOLERANCES: FRACTIONAL ± 1/64 ANGULAR: MACH ± .5° TWO PLACE DECIMAL ± .03 THREE PLACE DECIMAL ± .01	NAME: TL DATE: 102706	Allen Products Company Inc. 1635 E. Burnett Street Signal Hill, CA 90755 Tel: 562-424-1100 Fax: 562-424-3520	
	INTERPRET GEOMETRIC TOLERANCING PER:	Q.A.		TITLE: FLIPPED SINGLE MODEL POLESTAR AH15 SINGLE APP
	MATERIAL:	COMMENTS:		NEXT ASSY:
	FINISH:	DO NOT SCALE DRAWING		USED ON:

<b>SIZE</b> <b>B</b>	DWG. NO. AH9040S SINGLE MODEL	REV 01
SCALE: 1:14	WEIGHT:	SHEET 1 OF 2

8 7 6 5 4 3 2 1

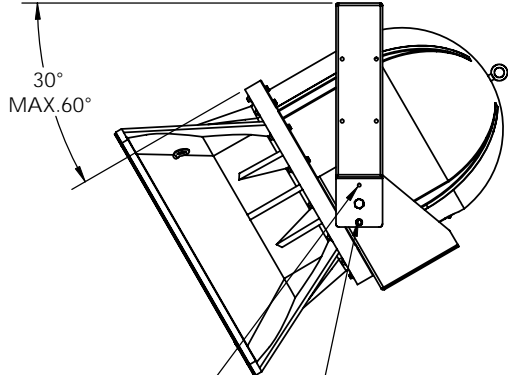
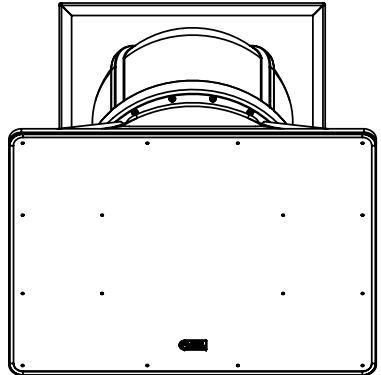
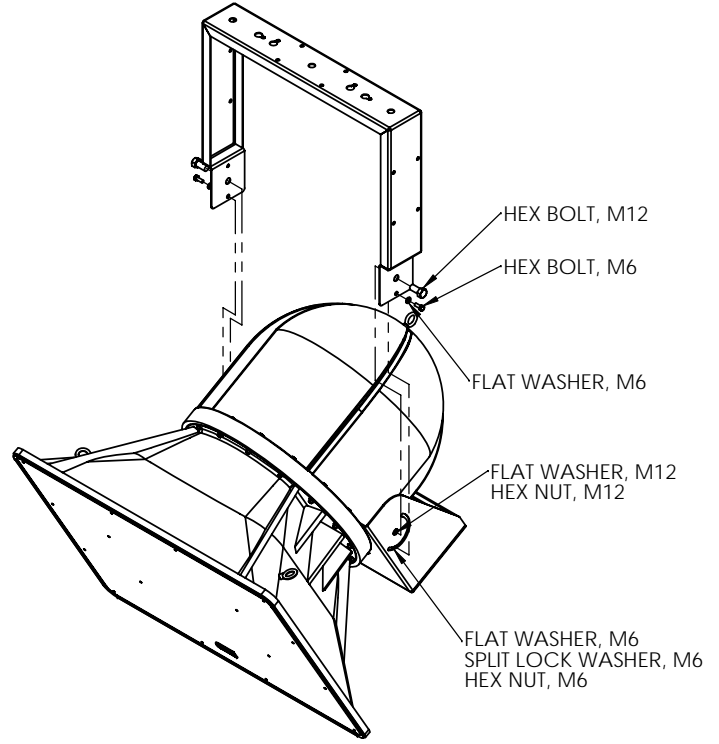
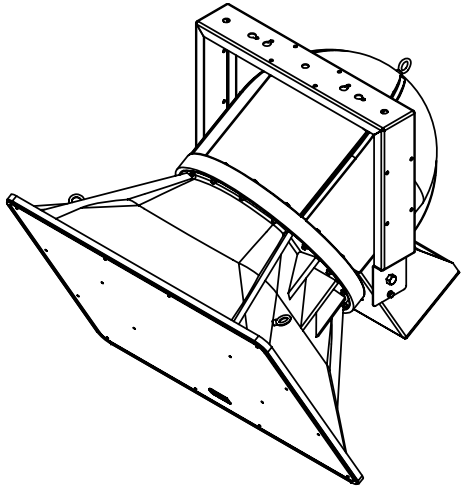
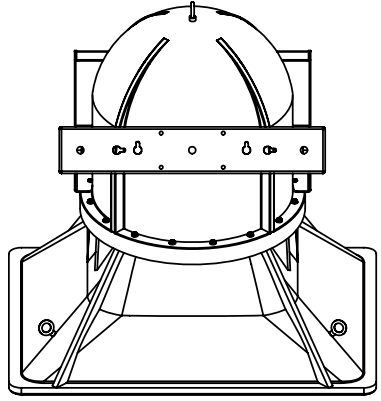
8 7 6 5 4 3 2 1

D

C

B


A



DO NOT USE THIS HOLE

ADD/DRILL .313 DIA. HOLE FOR 0° TO 60°

NOTE: U-BRACKET LEGS ARE 6" LONGER THAN STANDARD U-BRACKET

<b>PROPRIETARY AND CONFIDENTIAL</b> THIS DRAWING IS THE PROPERTY OF ALLEN PRODUCTS CO. AND EMBODIES A PROPRIETY DESIGN ORIGINATED BY ALLEN PRODUCTS CO. ALL DESIGN, MANUFACTURE, REPRODUCTION, USE AND SALE RIGHTS REGARDING THE SAME ARE EXPRESSLY RESERVED. THIS DRAWING MAY NOT BE REPRODUCED OR INFORMATION HEREIN TRANSMITTED IN ANY WAY WITHOUT WRITTEN CONSENT FROM ALLEN PRODUCTS CO. ALL PATENT RIGHTS HERETO ARE EXPRESSLY RESERVED BY ALLEN PRODUCTS CO. SIGNAL HILL, CALIFORNIA	UNLESS OTHERWISE SPECIFIED:	NAME	DATE	 Allen Products Company Inc. 1635 E. Burnett Street Signal Hill, CA 90755 Tel: 562-424-1100 Fax: 562-424-3520		
	DIMENSIONS ARE IN INCHES	DRAWN	TBA		101207	
	TOLERANCES:	CHECKED				
	FRACTIONAL: $\pm 1/64$	ENG APPR.				
	ANGULAR: MACH $\pm .5^\circ$	MFG APPR.			TITLE: FLIPPED SINGLE MODEL	
	TWO PLACE DECIMAL: $\pm .03$	Q.A.			POLESTAR AH15 SINGLE APP	
	THREE PLACE DECIMAL: $\pm .01$	COMMENTS:			NEXT ASSY:	
	INTERPRET GEOMETRIC TOLERANCING PER:				USED ON:	
	MATERIAL:				SIZE: <b>B</b>	
	FINISH:				DWG. NO. AH9040S SINGLE MODEL	REV 00
DO NOT SCALE DRAWING				SCALE: 1:10	WEIGHT:	SHEET 2 OF 2

8 7 6 5 4 3 2 1