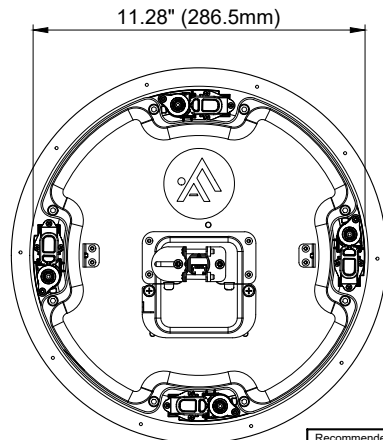


12.75" (323.9mm)

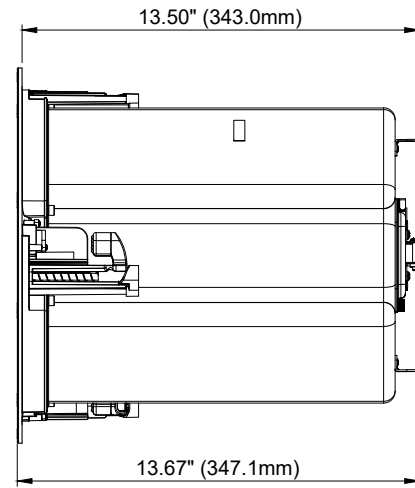
Front View



11.28" (286.5mm)

Rear View

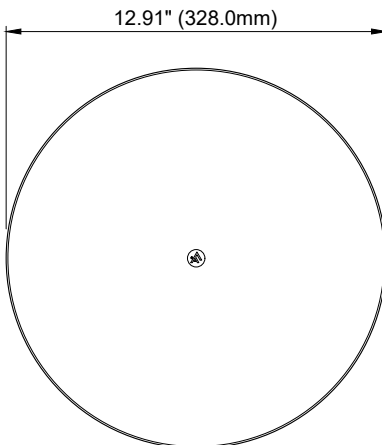
Recommended Cutout:
Ø11.57" (293.9mm)



13.50" (343.0mm)

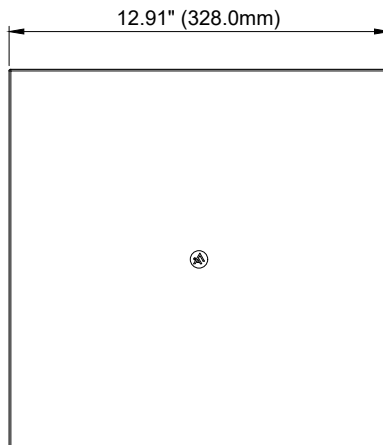
13.67" (347.1mm)

Side View



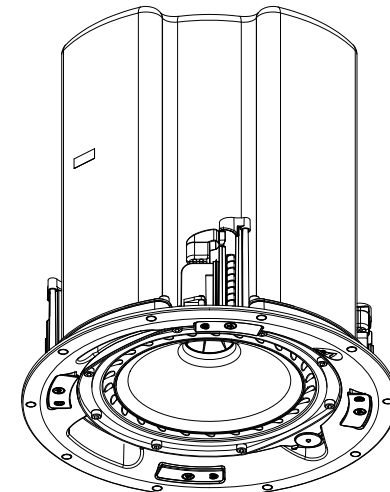
12.91" (328.0mm)

Round Grille



12.91" (328.0mm)

Square Grille



Isometric View

ATLAS+FYNE
A MITEK COMPANY
1601 Jack McKay Blvd.
Phone: (800) 876-3333
Web: www.atlasfyne.com
Email: support@atlasfyne.com

PROPRIETARY AND CONFIDENTIAL
THE INFORMATION CONTAINED IN THIS DRAWING IS THE SOLE PROPERTY OF MITEKCORP. ANY REPRODUCTION IN PART OR AS A WHOLE WITHOUT THE WRITTEN PERMISSION OF MITEKCORP IS PROHIBITED.

DATE	SCALE
April 7, 2026	N.T.S.
MODEL	REV.
FC-8D	A