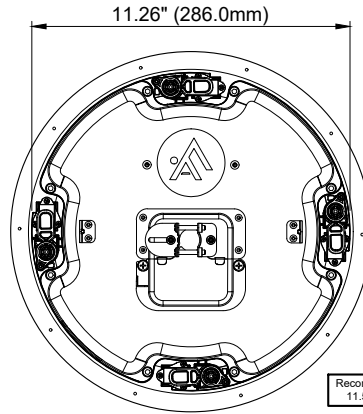
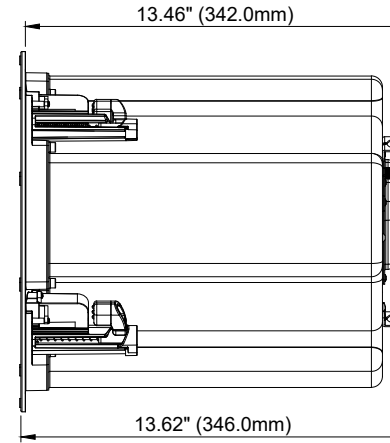


Front View

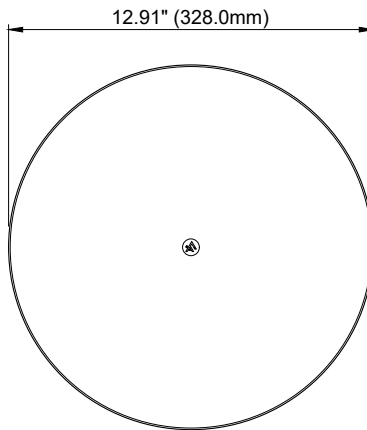


Rear View

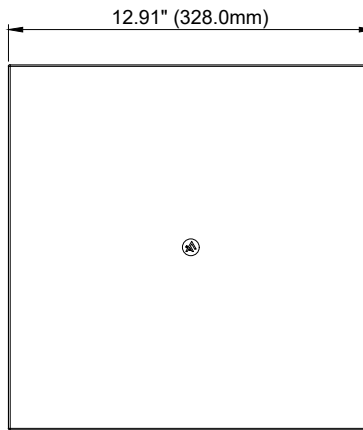
Recommended Cutout:
11.57" (293.9 mm)



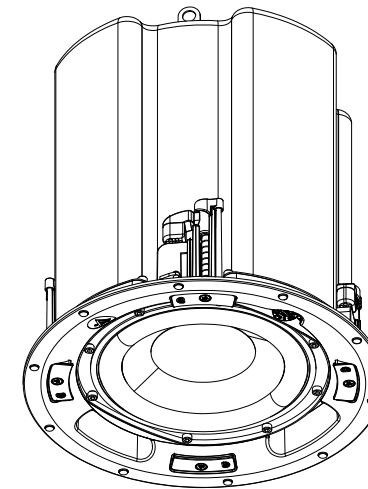
Side View



Round Grille



Square Grille



Isometric View

ATLAS+FYNE
 A MITEK COMPANY
 1601 Jack McKay Blvd.
 Phone: (800) 876-3333
 Web: www.atlasied.com
 Email: support@atlasied.com

PROPRIETARY AND CONFIDENTIAL
 THE INFORMATION CONTAINED IN THIS
 DRAWING IS THE SOLE PROPERTY OF
 MITEKCORP. ANY REPRODUCTION IN PART OR
 AS A WHOLE WITHOUT THE WRITTEN
 PERMISSION OF MITEKCORP IS PROHIBITED.

| | |
|---------------|--------|
| DATE | SCALE |
| April 5, 2026 | N.T.S. |
| MODEL | REV. |
| FC-8ST | A |