



**ASP-MG2240S
LED Diffusion
"Enhanced Privacy In Use" Sign**



1601 Jack McKay Blvd. • Ennis, Texas 75119 U.S.A.
Telephone: 800.876.3333 • Fax: 800.765.3435

Description

Thank you for purchasing the AtlasIED ASP-MG2240S Enhanced Privacy sign. Privacy signs are used to inform the public that a Sound Masking system is in use for their security while having a private conversation. This wired Privacy Sign is designed to be integrated with the AtlasIED ASP-MG2240 Sound Masking Controller.

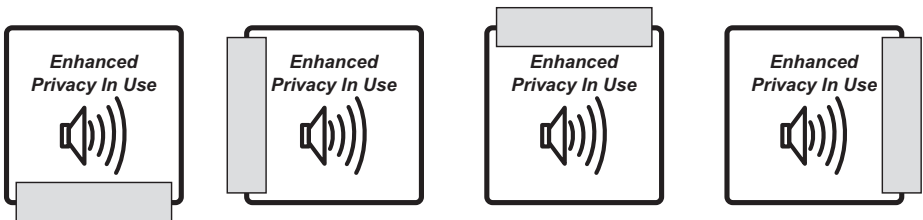
A remote CC latching switch connected to the ASP-MG2240 activates the ASP-MG2240S. When activated, the sign will illuminate and the preset masking level that is set up by the installer engages. Refer to the ASP-MG2240 for Enhanced Privacy Mode applications. The ASP-MG2240 is capable of driving two Privacy Signs in parallel.

This box Contains

- 1 x Acrylic Sign
- 1 x Aluminum LED Mounting base
- 2 x Locking Collets
- 4 x Locking Set Screws (2 for spares)
- 2 x EZ-wall anchors
- 2 x anchor screws
- 2 x #6-32 x 1" switch plate screws
- 1 x Allen wrench
- 1 x Stainless Single Gang Keystone Plate

Mounting Options

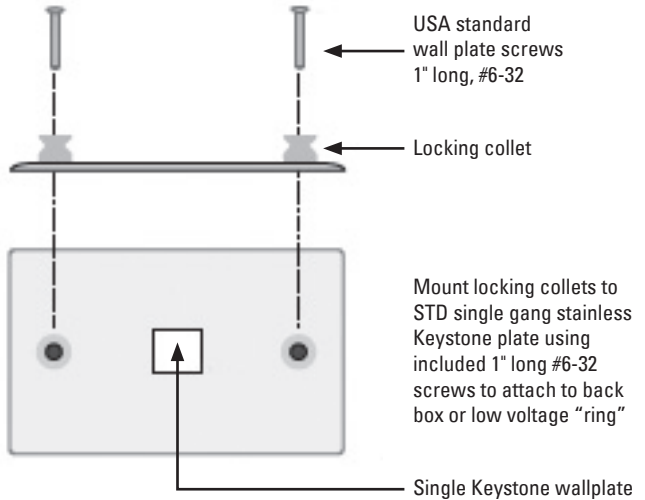
Remove Acrylic Sign from protective wrapping and before mounting the Sign to the block, determine the orientation you need. DO NOT tighten the set-screws until this is determined.



Option 1 – Single Gang In-Wall Mounting

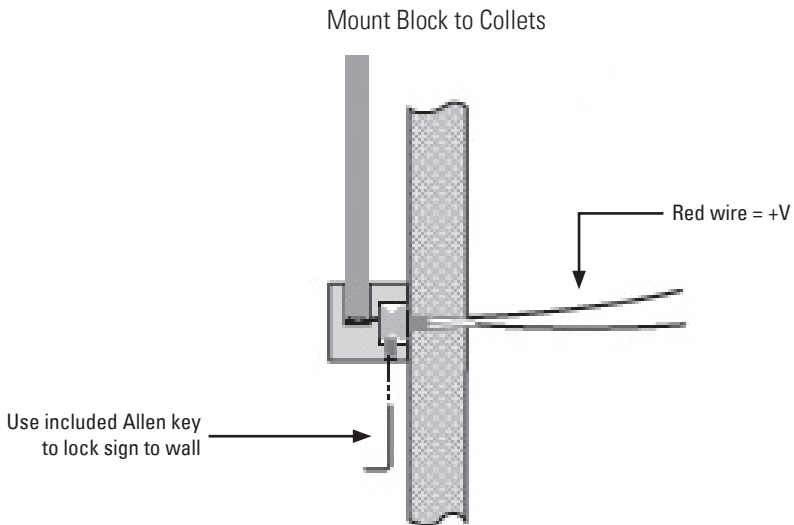
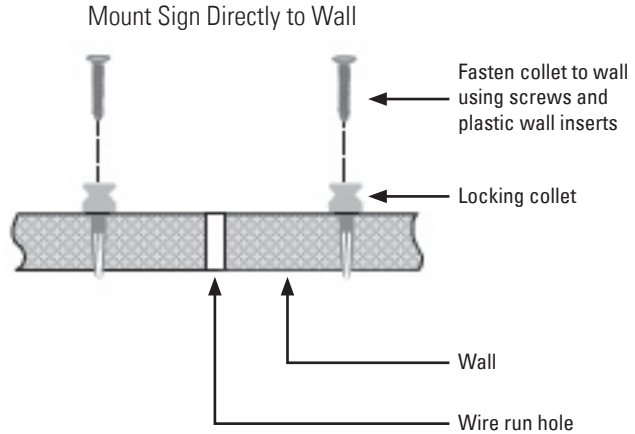
The Privacy Sign aluminum LED block is designed to fit a US STD single gang in-wall electrical box or Low Voltage retrofit "ring". The mounting screws that hold the Locking Collets are spaced to fit a STD blank wall plate. The Sign can be mounted in vertical or horizontal orientations. (See above orientations).

Mount Sign to In-Wall Single Gang



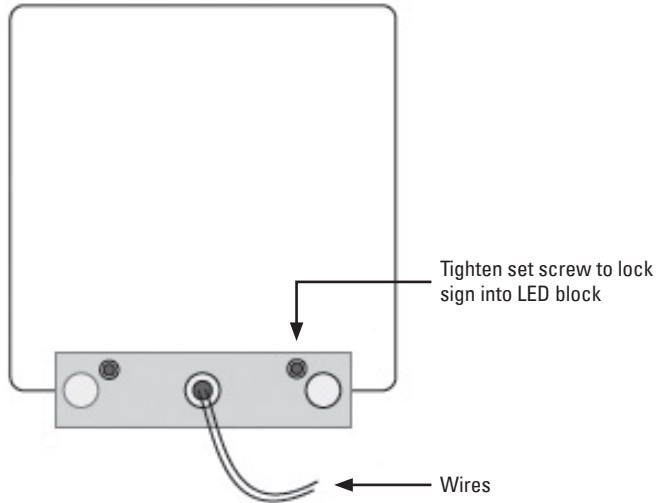
Option 2 – Mounting Directly to Wall

When mounting directly to wall, use hole spacing pattern (or a STD wall switch plate) to locate the proper spacing on the wall. If the wall is Gypsum Board (Drywall), use the supplied EZ-mount self-drilling anchors.



Mount Sign to Block

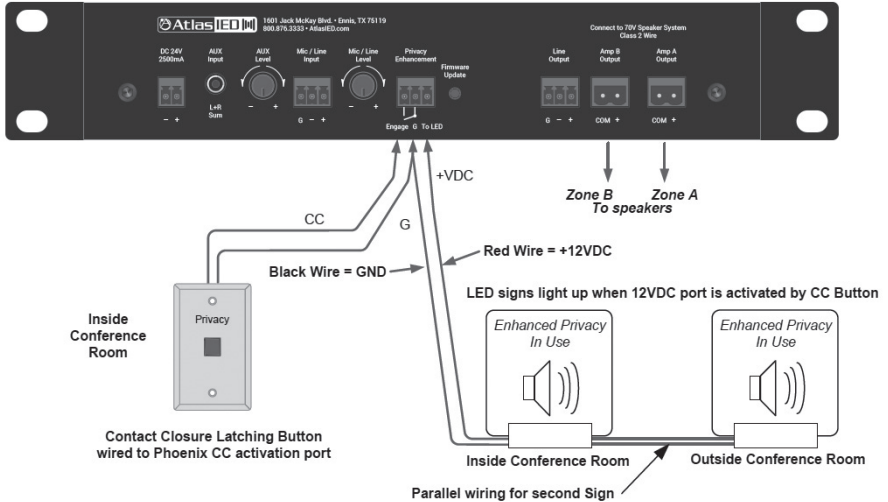
Remove Acrylic Sign from protective wrapping and before mounting the Sign to the block, make sure to determine the orientation you need. The mounting set screws can mark the Acrylic.



Wiring the Base

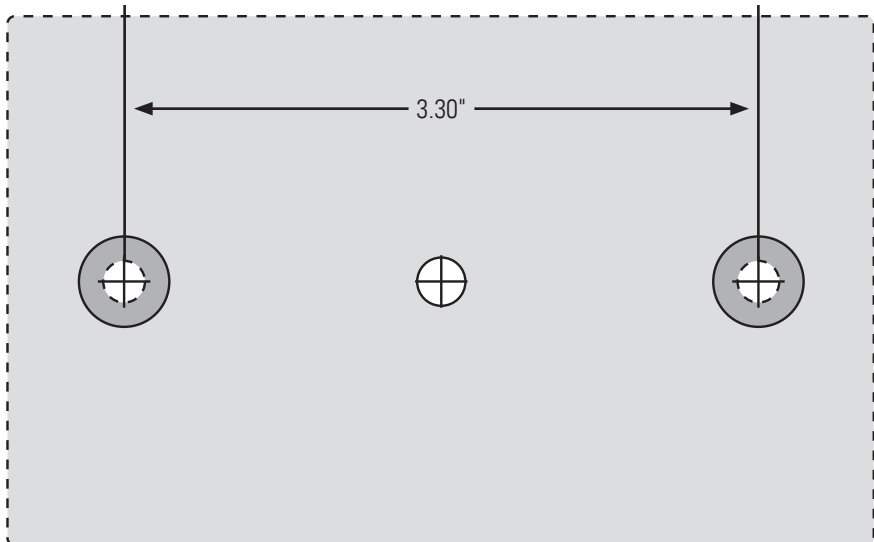
The ASP-MG2240S comes with approximately 2' of solder tinned 22/2 lead wire (Red + / Black -) and can be connected with a wire CE1 crimp cap, or soldered and insulated. Wiring from the ASP-MG2240 should be done with a min of 22/2 wire and run a distance of <300 feet.

Wired Privacy Signs for Conference Room with ASP-MG2240 Application Example



| System | |
|--|---|
| Type | 8mm Acrylic LED Diffusion |
| Electrical Specifications (General) | |
| LED Voltage | 10 - 12VDC (12VDC max) |
| Current Draw | <30ma |
| Termination | Wired, Two Wires Red (+) Black (-), 24" Long, 22 Gauge |
| Dimensions and Weight | |
| Sign Dimensions | 4.5" x 4.5" |
| Base Dimensions | 1" x 1" x 4" |
| Mounting Type | Blind Locking Collet with Set Screw, 3.30" Hole Spacing |
| Sign with Base | H 5" x W 4.5" |
| Shipping Weight | 1lb (0.45kg) |

Hole Spacing Pattern



1601 Jack McKay Blvd. • Ennis, Texas 75119 U.S.A.
 Telephone: 800.876.3333 • Fax: 800.765.3435

Limited Warranty

All products manufactured by AtlasIED are warranted to the original dealer/installer, industrial or commercial purchaser to be free from defects in material and workmanship and to be in compliance with our published specifications, if any. This warranty shall extend from the date of purchase for a period of three years on all AtlasIED products, including SOUNDOLIER brand, INNOVATIVE ELECTRONIC DESIGNS brand, and AtlasIED brand products except as follows: one year on electronics and control systems; one year on replacement parts; and one year on Musician Series stands and related accessories. Additionally, fuses and lamps carry no warranty. AtlasIED will solely at its discretion, replace at no charge or repair free of charge defective parts or products when the product has been applied and used in accordance with our published operation and installation instructions. We will not be responsible for defects caused by improper storage, misuse (including failure to provide reasonable and necessary maintenance), accident, abnormal atmospheres, water immersion, lightning discharge, or malfunctions when products have been modified or operated in excess of rated power, altered, serviced or installed in other than a workman like manner. The original sales invoice should be retained as evidence of purchase under the terms of this warranty. All warranty returns must comply with our returns policy set forth below. When products returned to AtlasIED do not qualify for repair or replacement under our warranty, repairs may be performed at prevailing costs for material and labor unless there is included with the returned product(s) a written request for an estimate of repair costs before any non-warranty work is performed. In the event of replacement or upon completion of repairs, return shipment will be made with the transportation charges collect.

EXCEPT TO THE EXTENT THAT APPLICABLE LAW PREVENTS THE LIMITATION OF CONSEQUENTIAL DAMAGES FOR PERSONAL INJURY, ATLASIED SHALL NOT BE LIABLE IN TORT OR CONTRACT FOR ANY DIRECT, CONSEQUENTIAL OR INCIDENTAL LOSS OR DAMAGE ARISING OUT OF THE INSTALLATION, USE OR INABILITY TO USE THE PRODUCTS. THE ABOVE WARRANTY IS IN LIEU OF ALL OTHER WARRANTIES INCLUDING BUT NOT LIMITED TO WARRANTIES OF MERCHANTABILITY AND FITNESS FOR A PARTICULAR PURPOSE.

AtlasIED does not assume, or does it authorize any other person to assume or extend on its behalf, any other warranty, obligation, or liability. This warranty gives you specific legal rights and you may have other rights which vary from state to state.

Service

Should your ASP-MG2240S require service, please contact the AtlasIED warranty department at 1-877-689-8055, ext. 277 or support.atlissound.com to obtain an RA number.

AtlasIED Tech Support can be reached at 1-800-876-3333 or support.atlasied.com.

Visit our website at www.AtlasIED.com to see other AtlasIED products.

©2017 Atlas Sound L.P. The Atlas "Circle A", Soundolier, and Atlas Sound are trademarks of Atlas Sound L.P. IED is a registered trademark of Innovative Electronic Designs LLC. All Rights Reserved. All other trademarks are the property of their respective owners. All specs are subject to change without notice. ATS005643 RevA 9/17



1601 Jack McKay Blvd. • Ennis, Texas 75119 U.S.A.
Telephone: 800.876.3333 • Fax: 800.765.3435