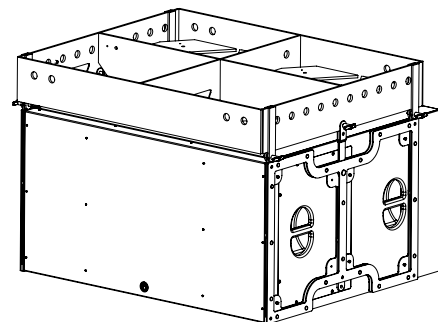
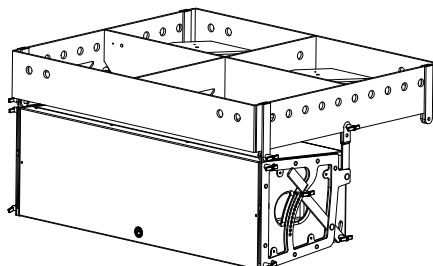
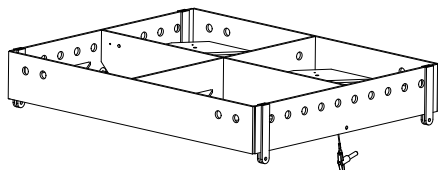


# AL123LFF-B

## Large Fly Frame

The large fly frame is designed to be the structural interface between the AL123A-B and/or AL218A-B, and the venue structure where the array is to be flown or suspended. It is best to use four points located close to the four corners to suspend the array. Please use the AL123A-B and AL218A-B manuals for instructions on how to use and connect the fly frame with the corresponding A-Line product. **THE AL123LFF-B IS ONLY FOR USE WITH THE AL123A-B OR AL218A-B AND IS NOT COMPATIBLE WITH ANY OTHER PRODUCT.**



### Safety Instructions

Please Read Carefully Before Installing or Operating

- Read all instructions carefully
- Heed all warnings
- Assure that the speaker is securely mounted

### Hearing Damage

**CAUTION:** These professional loudspeaker systems are capable of generating very high sound pressure levels. Use care with placement and operation to avoid exposure to excessive levels that can cause permanent hearing damage.

### Suspension & Mounting

Suspension or "flying" speaker systems requires training and expertise. Improper rigging of a flying speaker may result in injury, death, equipment damage, and legal liability. Installation must be carried out by fully qualified installers, in accordance with all required safety codes and standards at the place of installation.

A 5:1 design factor is a generally accepted minimum standard. However, legal requirements for overhead suspension vary by municipality, please consult your local safety standards office before installing any product. We also recommend that you thoroughly check any laws and bylaws prior to installation.

Loudspeakers flown in theaters, nightclubs, conference centers, or other places of work and entertainment must be provided with an independent, correctly rated and securely attached secondary safety — in addition to the principle suspension point(s). This secondary safety must prevent the loudspeaker from dropping more than (6") should the principle suspension device fail. If you lack the skills, training, and proper ancillary equipment to fly a speaker system, do not attempt to do so.

**WARNING:** Improper rigging of a flying speaker may result in equipment damage, personal injury, or death. Installation must be carried out by fully qualified installers, in accordance with all required safety codes and standards. **REFER TO THE AL123A-B OR AL218A-B MANUAL FOR INSTRUCTIONS ON HOW TO SAFELY USE THE AL123LFF-B WITH EITHER THE AL123A-B OR AL218A-B.**

- Always assure power is OFF to amplifiers before making any connections
- Assure that all electrical equipment is properly grounded
- Keep instructions for future reference
- Should any questions arise after reading this document, please call Atlas Sound Tech Support at 800-876-3333