

# TEXAS TOUGH



## Applications

Texas Tough equipment racks are the culmination of years of research and development that includes features never before incorporated into a cabinet that benefit both the end-user and integrator. These cabinets can be deployed in data centers, corporate offices, conference rooms, restaurants, entertainment facilities, security offices, broadcast facilities, industrial facilities, and military/government installations. Each model is built to Standard EIA/ECA-310-E that meets most OEM, commercial, and military application requirements.

## Features

- UL Listed 2416
- Six Model Heights and Two Depths Available
- Digital Rack Crown
  - Edgelit Customizable Plexiglas Badge
  - Integrated Remote Equipment Monitoring with Visual and Audible Alert Capabilities
  - Interior Mounted LED Lighting
- DINlok™ Technology Allows Quick and Easy Rail Adjustment on the Included DIN Channels
- Replaceable Air Filter Panels Reduce Debris Intrusion Into Rack
- Available with Either a Plexiglas, Solid, or Perforated Front Door
- Hybrid Design Allows for Use in Standalone or Gangable Deployments
- Rear Doors Offer Right or Left-Hand Hinging Capability
- Up to 13RU Panel Opening in Top Offers Wiring Convenience or Fan Panel Cooling with Optional Fan Kits and Top Panels
- Two pairs of 12-gauge CRS adjustable mounting rails are plated, drilled, and tapped 10-32 with printed rack elevation numbers.
- Filters Can Be Removed For Increased Wiring Access or to Gang Multiple Units Together
- Manufactured to E.I.A. Standards
- 16-Gauge Tops/Bottoms/Frames

## General Description

The AtlasIED Texas Tough Series cabinets are like no equipment cabinets in the market today. Sleek and modern with advanced features, these racks are designed to be showcased at an installation rather than buried in an equipment closet. The cabinets are available in six different heights, starting at 20RU and going up to 45RU, and are available in either 25" or 30" depths (refer to chart on next page for exact dimensions and model numbers). All cabinets feature 16-gauge steel tops and bottoms and sides and frames.

Each model ships with either a Plexiglas, solid, or perforated front door that is user selectable to best match their installation. Additionally, a flush mount 18-gauge steel rear door is included as standard. Both doors include premium low-profile pop-out swing handle hardware with integrated cylinder locks.

Texas Tough series racks are best identified by their unique digital rack crown. This unique piece of equipment is designed to both increase the aesthetic style of the rack and also to add additional functionality. Each digital rack crown includes a LED edgelit Plexiglas badge that can be set to a variety of colors to match customer style requirements. This Plexiglas badge can additionally be custom created with either the end users logo or the integrators logo and contact information to provide easily locatable contact information for post installation support. An integrated circuit board in the rack crown includes a contact closure that can be connected to a remote fault indicator allowing the LEDs to change color when an equipment fault is indicated. This provides a visual clue that there is an issue. Additionally, the contact closure will trigger an audible alarm.

Down-firing LED lights are integrated into the front soffit of the rack. The white light intensity is settable for both the open and closed door positions. This may provide excellent illumination for anyone having to work on the installed equipment with the rack door in the open position. Also, the LEDs can also be used to provide a less intense ambient light in the closed door rack to delicately showcase the equipment when installed in a high profile location.

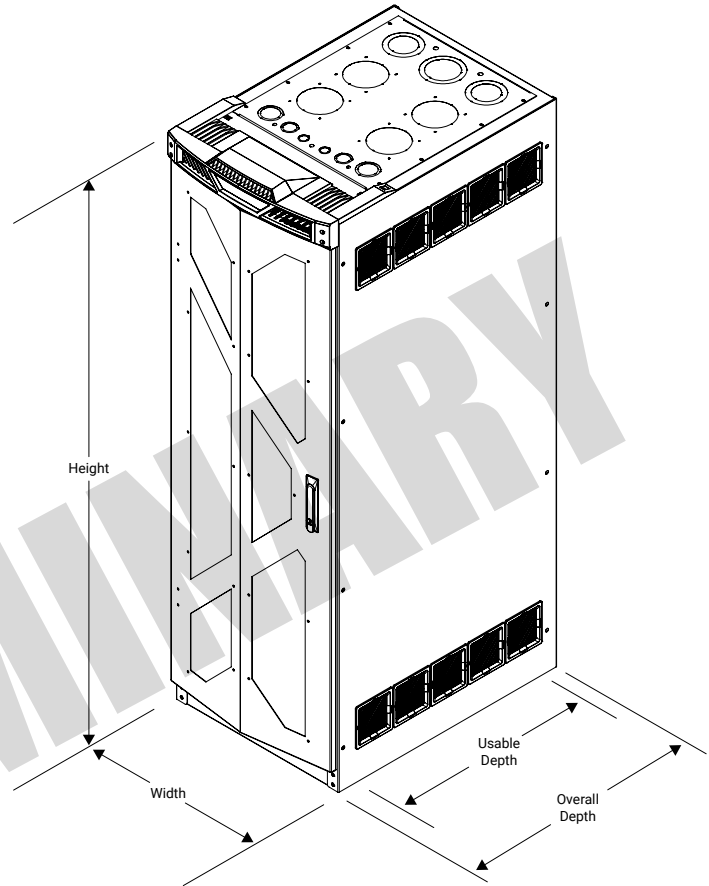
The front and rear rails install to the DIN rails via the patented DINlok™ technology system. The installation is tool-less and positively locks the rail into a specific location within provided 1" increments. In addition, the industrial standard 35mm x 15mm DIN rails are commonly used for mounting electrical and network devices.

Texas Tough cabinets can be used as stand-alone units or joined together in a gangable array. For standalone use, they incorporate solid side panels with premium air filter panels pre-installed. These air filter panels cut down on dirt and dust intrusion into the rack keeping the installed equipment clean and optimally functioning. In addition, these air filter panels feature a replaceable filter membrane that is accessed from the outside of the rack. A provided air block may also be installed on individual air filters to better control heat and cooling paths. When multiple Texas Tough racks need to be ganged together, there are locking points located on the side panels to easily bolt them together. The air filter panels can be removed and used as a cable pass thru between racks. The multi-functional knock-out panels are provided on the rack top and rear positions.

Cabinets include two pairs of front-to-rear adjustable mounting rails tapped 10-32. Rails are standard E.I.A.  $\frac{5}{8}$ "- $\frac{5}{8}$ "- $\frac{1}{2}$ " spacing.

An available caster kit, model TT-RCK, is available for applications requiring the rack to be mobile once loaded. AtlasIED offers a wide range of rack accessories including panels, shelves, lacing bars, drawers, fans, and other accessories that allow for complete rack customization. All Texas Tough racks are Made in the USA at the AtlasIED facility in Ennis, TX.

## Dimensional Drawing



Model	Height	Width	Depth	Usable Depth	Weight
TT45-30P	86.88	22.63	32.68	27.7	239
TT45-30S	86.88	22.63	32.68	27.7	249
TT45-30V	86.88	22.63	32.68	27.7	242
TT45-25P	86.88	22.63	27.68	22.7	220
TT45-25S	86.88	22.63	27.68	22.7	230
TT45-25V	86.88	22.63	27.68	22.7	223
TT40-30P	78.13	22.63	32.68	27.7	219
TT40-30S	78.13	22.63	32.68	27.7	228
TT40-30V	78.13	22.63	32.68	27.7	222
TT40-25P	78.13	22.63	27.68	22.7	202
TT40-25S	78.13	22.63	27.68	22.7	211
TT40-25V	78.13	22.63	27.68	22.7	205
TT35-30P	69.38	22.63	32.68	27.7	195
TT35-30S	69.38	22.63	32.68	27.7	203
TT35-30V	69.38	22.63	32.68	27.7	198
TT35-25P	69.38	22.63	27.68	22.7	180
TT35-25S	69.38	22.63	27.68	22.7	188
TT35-25V	69.38	22.63	27.68	22.7	182

Model	Height	Width	Depth	Usable Depth	Weight
TT30-30P	60.63	22.63	32.68	27.7	175
TT30-30S	60.63	22.63	32.68	27.7	182
TT30-30V	60.63	22.63	32.68	27.7	177
TT30-25P	60.63	22.63	27.68	22.7	162
TT30-25S	60.63	22.63	27.68	22.7	168
TT30-25V	60.63	22.63	27.68	22.7	164
TT25-30P	51.88	22.63	32.68	27.7	151
TT25-30S	51.88	22.63	32.68	27.7	156
TT25-30V	51.88	22.63	32.68	27.7	153
TT25-25P	51.88	22.63	27.68	22.7	139
TT25-25S	51.88	22.63	27.68	22.7	144
TT25-25V	51.88	22.63	27.68	22.7	141
TT20-30P	43.13	22.63	32.68	27.7	131
TT20-30S	43.13	22.63	32.68	27.7	135
TT20-30V	43.13	22.63	32.68	27.7	132
TT20-25P	43.13	22.63	27.68	22.7	120
TT20-25S	43.13	22.63	27.68	22.7	124
TT20-25V	43.13	22.63	27.68	22.7	121

#### Texas Tough Rack Model Number Descriptions

TTXX-YYZ ie TT20-25P

TT = Texas Tough Series Designator

XX = Model Height in RU

YY = Model Depth in Inches

Z = Front Door Style

P = Plexiglas

S = Solid

V = Perforated