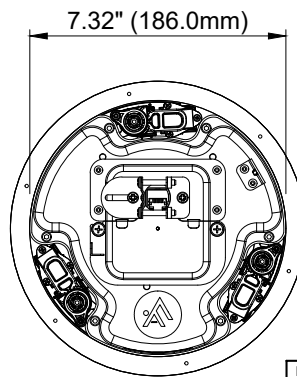
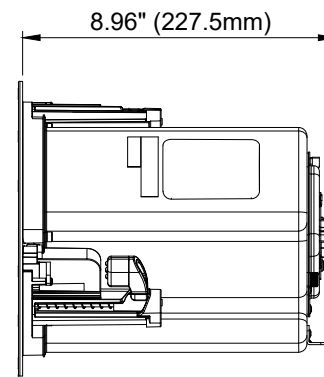


Front View

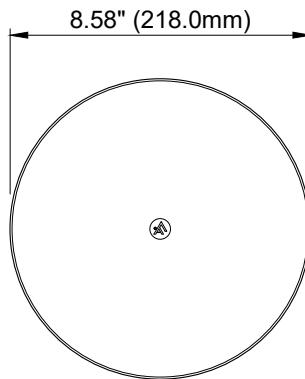


Rear View

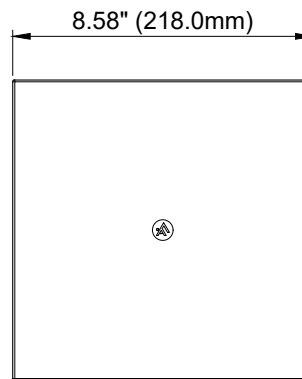
Recommended Cutout:  
Ø7.56" (192.0mm)



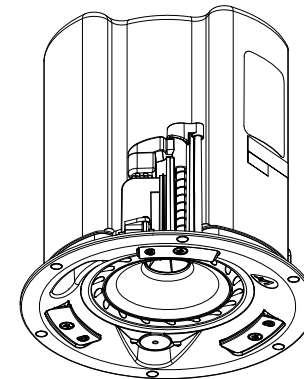
Side View



Round Grille



Square Grille



Isometric View

**ATLAS+FYNE**  
 A MITEK COMPANY  
 1601 Jack McKay Blvd.  
 Phone: (800) 876-3333  
 Web: www.atlasied.com  
 Email: support@atlasied.com

PROPRIETARY AND CONFIDENTIAL  
 THE INFORMATION CONTAINED IN THIS  
 DRAWING IS THE SOLE PROPERTY OF  
 MITEKCORP. ANY REPRODUCTION IN PART OR  
 AS A WHOLE WITHOUT THE WRITTEN  
 PERMISSION OF MITEKCORP IS PROHIBITED.

DATE	SCALE
April 5, 2026	N.T.S.
MODEL	REV.
FC-4D	A