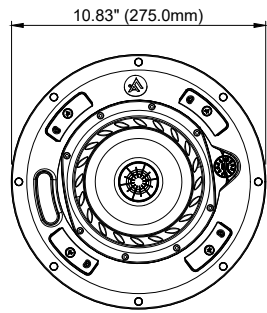
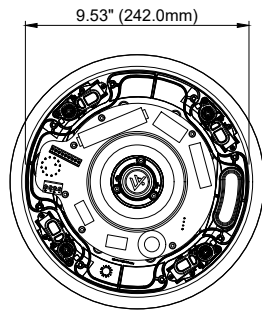


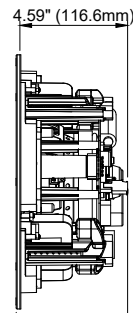
FC-6DRV



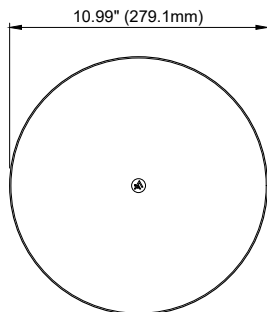
Front View



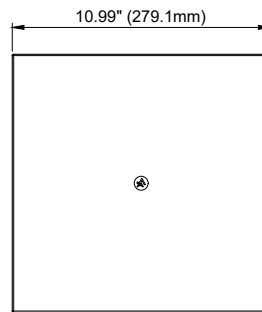
Rear View



Side View

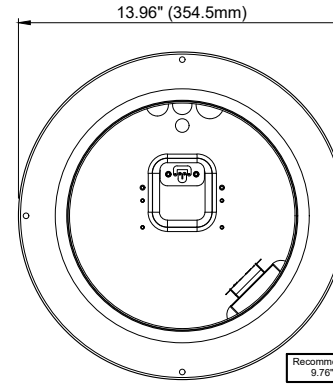


Round Grille



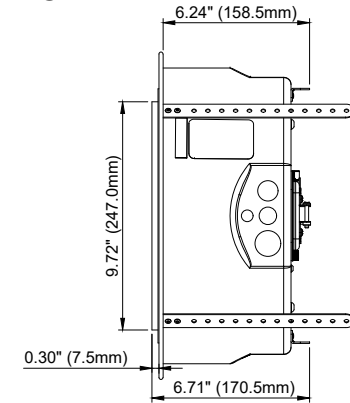
Square Grille

FC-6PIC

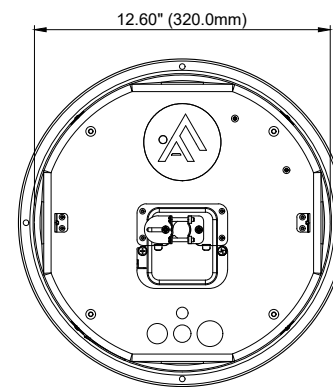


Back Can Front View

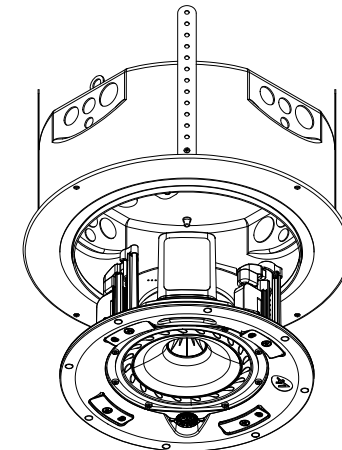
Recommended Cutout:
9.76" (248mm)



Back Can Side View



Back Can Rear View



Isometric View



A MITEK COMPANY
1601 Jack McKay Blvd.
Phone: (800) 876-3333
Web: www.atlasfyne.com
Email: support@atlasfyne.com

PROPRIETARY AND CONFIDENTIAL

THE INFORMATION CONTAINED IN THIS DRAWING IS THE SOLE PROPERTY OF MITEKCORP. ANY REPRODUCTION IN PART OR AS A WHOLE WITHOUT THE WRITTEN PERMISSION OF MITEKCORP IS PROHIBITED.

DATE	SCALE
April 2, 2026	N.T.S.
MODEL	REV.
FC-6TPI	A