

ZCM-V2+T

PoE+ IP to Analog Gateway (Zone Controller) Used In the ZC1PRO+T and ZC2PRO+T



ZCM-V2+T Front



ZCM-V2+T Back



ZC1PRO+T

Model Includes (1) ZCM-V2+T and PA702-RMK Rack Mount Kit



ZC2PRO+T

Model Includes (2) ZCM-V2+T and PA702-RMK Rack Mount Kit

Features

Network Features

- Dynamic or Static IP Address
- IEEE802.3 10/100Base-T Ethernet
- IEEE 802.1q Tagging
- IEEE 802.11AT Compliant

VoIP Standard Audio

- G.711 u-law/a-law (64 kbit/s)
- G.729 Wideband Audio (64 kbit/s)

Auto Provisioning

- DHCP Option 66, 150, or TFTP Server
- DHCP Option 72 for HTTP Server

Auto Registration

- SLP for InformaCast
- DHCP Option 72 for SA-Announce or GCK

Static Configuration

- HTTP GUI for Static Configuration
- Cisco SRST

Audio Features

- Integrated 15-Watt Amplifier (802.3af) 8Ω
- Selectable 8Ω or 70.7V Two Channel Speaker Output
- Audio Line-In Unbalanced (1V 10kΩ)
- Audio Line-Out Unbalanced (1V 10kΩ)
- Audio Line-Out Balanced (1V 10kΩ)
- Mic Input Unbalanced (<2.2kΩ)

Additional Features

- 2 General Purpose Inputs
- 1 General Purpose Relay Output (2A @ 30 VDC)
- External Power Supply Option

General Description

AtlasIED IP-to-analog gateways are perfect for connecting your unified communication platform to off network analog third party systems, including, but not limited to, sending notifications to analog overhead paging, trigger or be triggered by access-control systems, assist to fire alarm, and two-way audio support for video-surveillance, simply plug and play.

Applications

AtlasIED ZCM-V2+T registers as a communication endpoint directly within InformaCast, GCK, and SA-Announce advanced notification applications, supporting audio broadcast to enhance physical security while improving day-to-day communications through advanced alerting, bell schedules, pre-recorded, & scheduled announcements, while leveraging the WAN or LAN network architecture.

The ZCM-V2+T bridges the network to analog world utilizing CAT5e cable to transmit audio broadcasts from the advanced notification applications to analog loudspeakers or amplifiers. The integrated amplifier can deliver up to 15-watts of total power between two connected loudspeakers at either 70.7V or 8Ω. The line output can be used to connect a commercial power amplifier that can power larger numbers of loudspeakers allowing the system to cover large areas like quads, athletic fields, parking lots, or other common areas that are too large to be handled by a standard IP loudspeakers.

When used within a Cisco environment, this IP-to-Analog gateway from AtlasIED can join Cisco's Unified Survivable Remote Site Telephony (SRST) as a supported device within SRST endpoint Architecture. Cisco's SRST provides remote location call-processing redundancy when access to the centralized Cisco Unified Communications Manager is interrupted because of a WAN outage. The ability of LAN communication between any combination of phones and speakers is particularly critical during an emergency (which may be the actual cause of the WAN outage).

Where 3rd party notification applications are not required, the ZCM-V2+T IP-to-Analog gateways can register as SIP devices directly to a SIP server or VoIP Communications Manager for critical alerts /public address applications.

System	
Type	PoE+ IP to Analog Gateway (Zone Controller)
Operation Mode	Self Powered
Indicators	Network Activity
General Purpose Interface	Two Trigger Inputs / One Relay Output (2A @ 30 VDC)
Amplification	
Type	Single-Channel Class D Topology
AC Power Input	PoE or PoE+ and External 24VDC
Power Rating (RMS)	15 Watts Max (802.3at)
THD	<.02%
Cooling	Passive/Convection
Microphone (Optional)	
Sensitivity	Minus 35 (± 4 dB) / (0db = 1V/pa, 1kHz)
Impedance	Less than 2.2k Ω
Directivity	Omnidirectional
Frequency Range	20Hz – 20kHz
Standard Operation Voltage	2V
Max. Operation Voltage	10V
Current Consumption Max.	0.5 mA
Sensitivity Reduction Within	Minus 3dB @ 1.5V
S/N Ratio	More than 62dB
Audio Inputs and Outputs	
Input: Analog Audio Type(s)	One Unbalanced Analog
Input: Analog Connectivity	Secured Screw Terminal Block
Input: Network Audio Type(s)	G.711 U-Law/A-Law and G.722 Capable
Input: Network Connectivity	RJ-45 Female
Output: Analog Audio Type(s)	One Unbalanced Line Level / One Balanced Line Level
Output: Analog Connectivity	Secured Screw Terminal Block
Output: Digital Audio Type(s)	N/A
Output: Digital Connectivity	N/A
Output: Loudspeaker Level	8 Ω /70.7V, 9W (802.3af), 15W (802.3at)
Output: Loudspeaker Connectivity	Two x Secured Screw Terminal Block
Software	
SA-Announce Compatible Versions	9.0.18+
InformaCast Compatible Version	8.0+
GCK Compatible Version	3.0+
Network	
Ethernet	IEEE802.3 10/100Base-T
POE	IEEE802.3AF/AT Compliant
VLAN	IEEE802.1q Tagging
Protocols	
IP Addressing	DHCP/Static
Auto-Provisioning	HTTP/TFTP
Auto-Registration	HTTP/Service Location Protocol/IEDNet
Time	NTP
Telephony	SIP

©2018 Atlas Sound LP. The Atlas "Circle A" Soundolier, and Atlas Sound are trademarks of Atlas Sound L.P. IED is a Registered Trademark of Innovative Electronic Designs LLC. All rights reserved. All other Trademarks are property of their respective owners. No endorsement is implied. Due to continual product development, specifications are subject to change without notice. ATSO05742 RevA 2/18

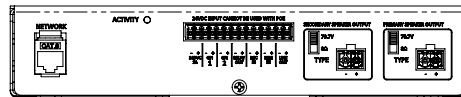
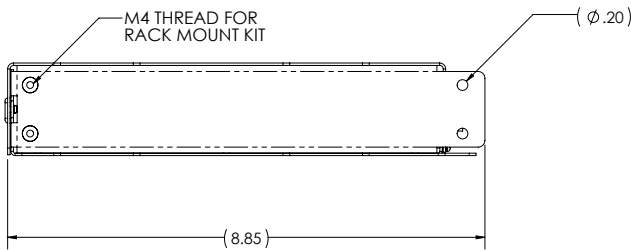
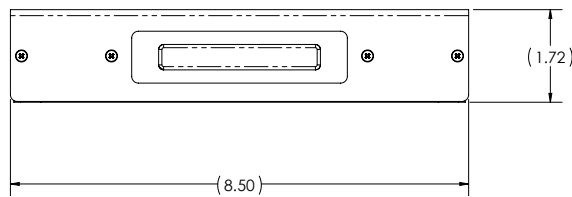
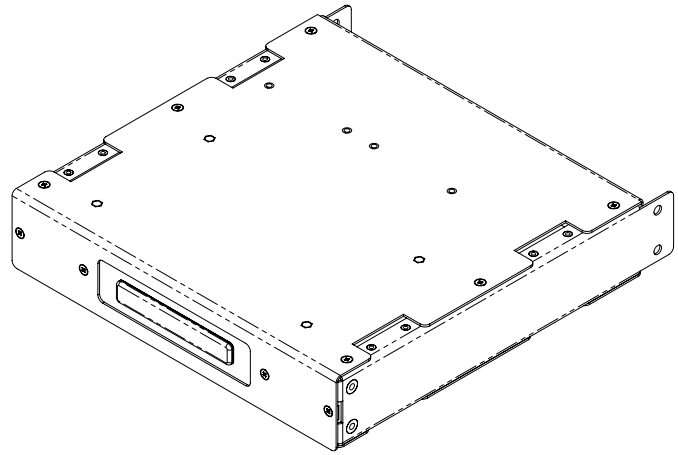
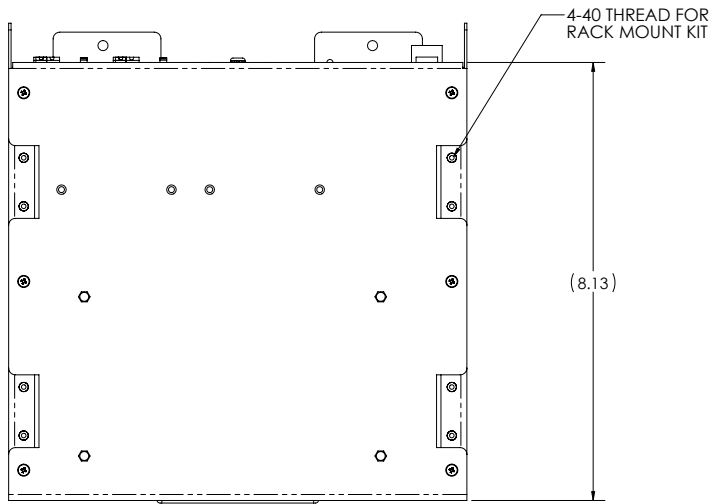
Enclosure	
Color	Black
Grille Material	N/A
Baffle Material	N/A
Mounting/Rigging Provisions	Wall Mount Via Key Hole Slots / Rack Mount 1RU Half Width
Safety Agency Ratings	ETL Listed to Comply with UL-60950-1, and CAN/CSA-C22.2 No. 60950-1
Ingress Protection	IP-30
Logo	Blue and Removable
Product Dimensions (HxWxD)	1.72" (44mm), 8.5" (216mm), 8.85" (225mm)
Shipping Dimensions (HxWxD)	4.8" (122mm), 11.75" (299mm), 10.31" (262mm)
Net Weight - lbs	4.1lbs (1.86kg)
Shipping Weight - lbs	4.76lbs (2.16kg)
Warranty Coverage	
Warranty Period	1 Year

NOTES:

1. Sensitivity: Half space pink noise measurement at 6 ft (1.8 m) at 20% power; extrapolated to 1 meter and an input of 2.83 volts RMS.
2. Watts: All wattage figures are calculated using the rated nominal impedance.
3. Frequency response and sensitivity are half-space measurements.

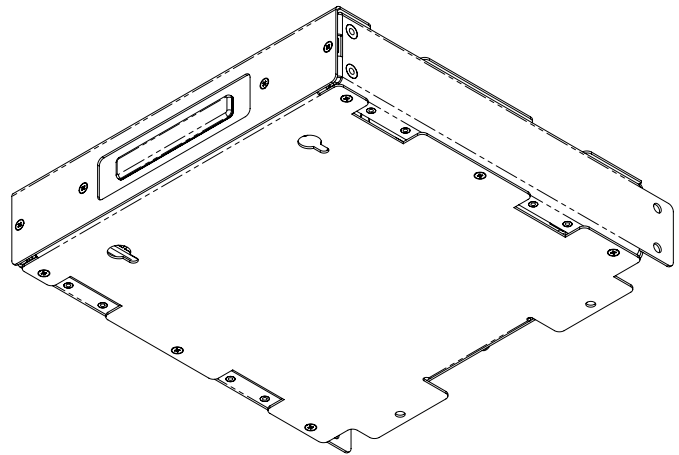
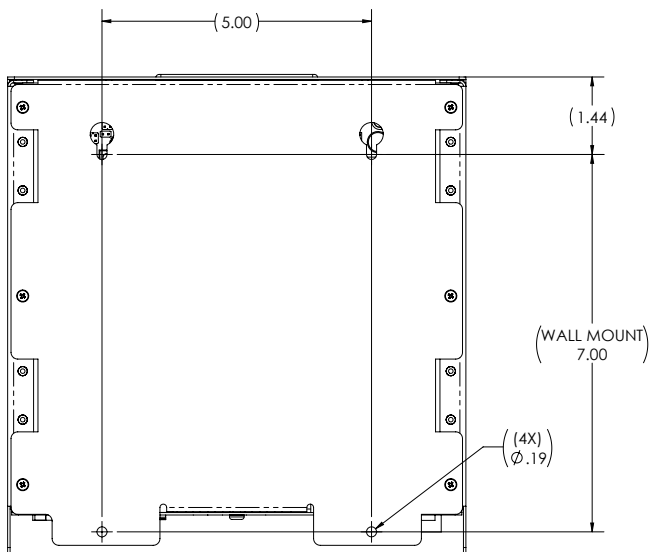
©2018 Atlas Sound LP. The Atlas "Circle A" Soundolier, and Atlas Sound are trademarks of Atlas Sound L.P. IED is a Registered Trademark of Innovative Electronic Designs LLC. All rights reserved. All other Trademarks are property of their respective owners. No endorsement is implied. Due to continual product development, specifications are subject to change without notice. ATSO05742 RevA 2/18

Dimensional Drawings



NOTES:

1. RACK MOUNT KIT PA702-RMK ALLOWS BOTH SINGLE AND DUAL ZCM-V2+ CONFIGURATIONS WITHIN A 19" RACK



©2018 Atlas Sound LP. The Atlas "Circle A" Soundolier, and Atlas Sound are trademarks of Atlas Sound L.P. IED is a Registered Trademark of Innovative Electronic Designs LLC. All rights reserved. All other Trademarks are property of their respective owners. No endorsement is implied. Due to continual product development, specifications are subject to change without notice. ATSO05742 RevA 2/18

Architect and Engineer Specifications

The unit shall be AtlasIED Model ZCM-V2+T zone controller. It shall be an IP-to-Analog network gateway with a line level output for connection to power amplifiers and an 8 Ω , 70.7V amplified output to drive small analog loudspeaker zones. It shall include two general purpose inputs and one relay output. The unit shall incorporate a line level and microphone input. It shall be powered via plug-in 24VDC PSU or by 802.3af or 802.3at compliant PoE network switches. It shall be compatible with AtlasIED's GCK, Syn-Apps' SA-Announce, Singlewire's InformaCast software platforms and SIP standalone operation.

All control functionality shall be determined via software. The overall dimensions (HxWxD) shall be 1.72" (44mm) x 8.5" (216mm) x 8.85" (224.8mm). Finish shall be neutral black electrostatic powder coat.