

MITEK PART # / DRAWING #		SM82TEN		ASME Y14.5M-2009	
TITLE		SPK SYS 8" 2-WY S-M 8M/T7/175W		TOLERANCES (EXCEPT AS NOTED)	
DRAWN BY	G.B.	DATE DRAWN	6/3/2021	SCALE	1:5
CHK'D BY		CHK'D DATE		SHEET #	3 OF 3
ENG. APPROVAL		DATE		REV.	A.
MATERIAL:		FINISH:		UNITS - MILLIMETERS	
				X.X ± 0.5	
				X.XX ± 0.38	
				X.XXX ± 0.125	
				ANGULAR ± 1°	
				HOLES ± 0.125	

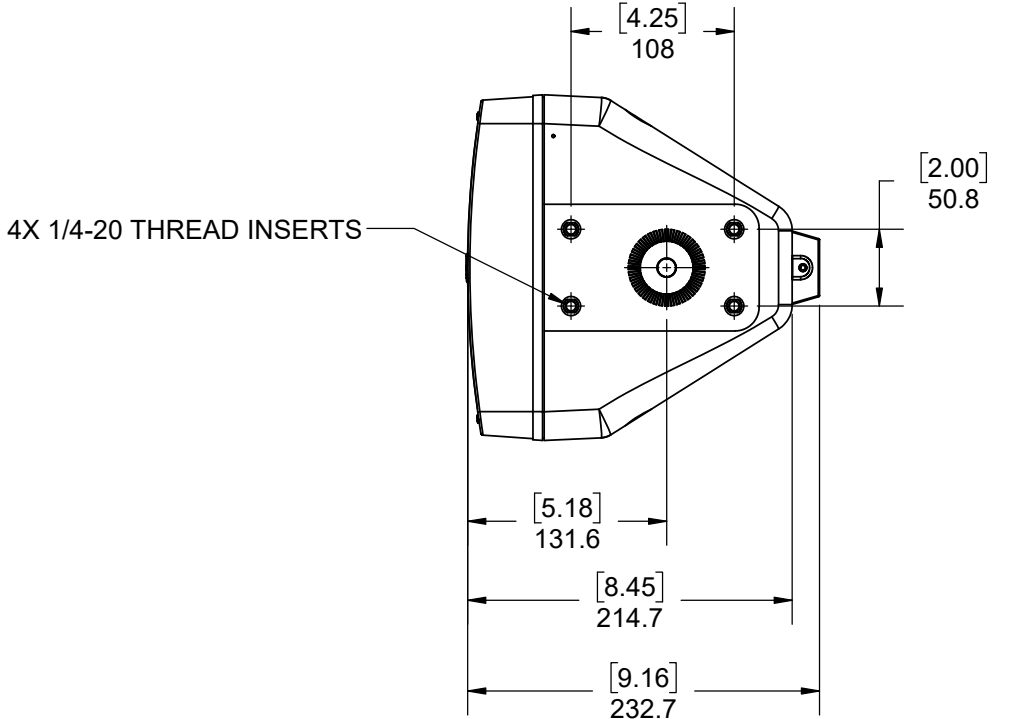
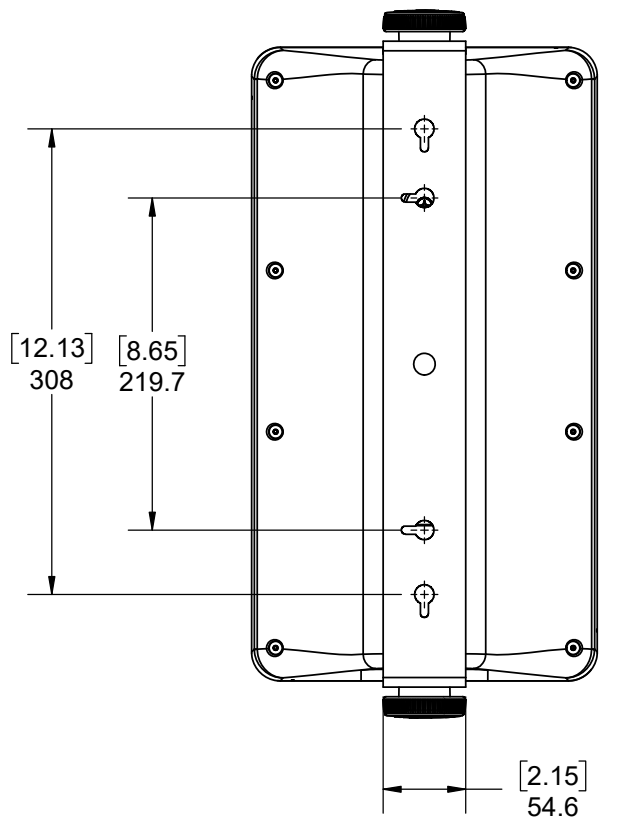
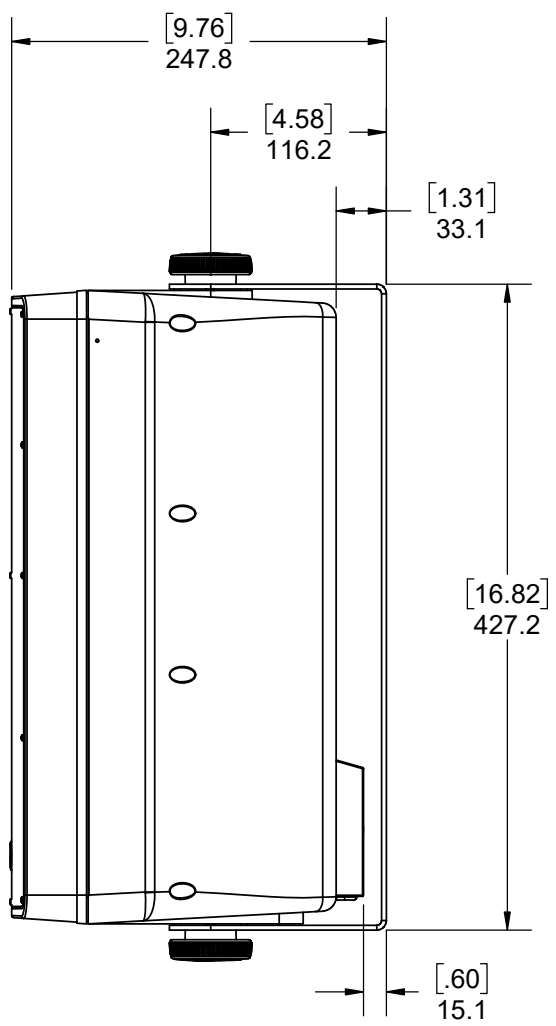
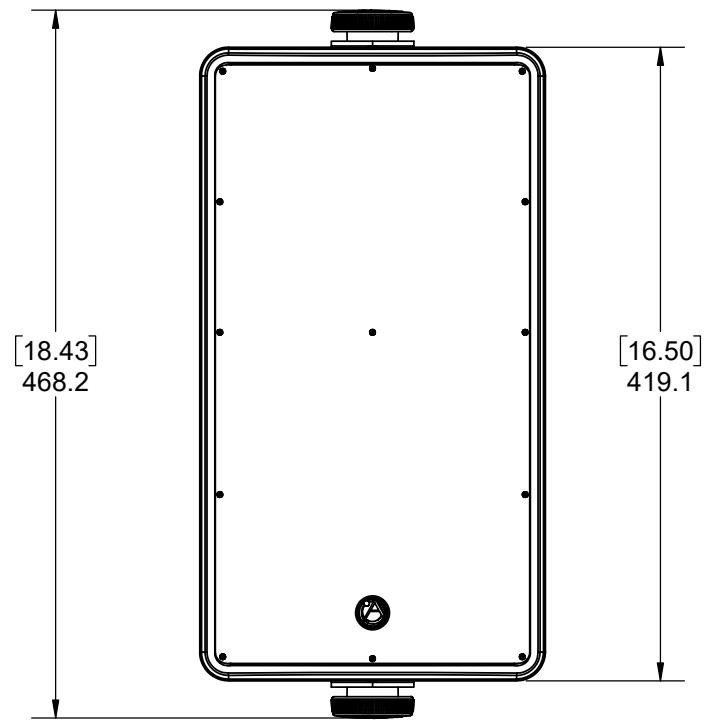
THIS DRAWING AND DATA EMBODY PROPRIETARY DESIGNS AND INFORMATION WHICH IS THE CONFIDENTIAL PROPERTY OF MITEK CORPORATION. NONE OF WHICH SHALL BE COPIED, REPRODUCED, DISCLOSED TO OTHERS, PROPOSED OR USED IN WHOLE OR IN PART, FOR ANY PURPOSE WITHOUT EXPRESS WRITTEN PERMISSION OF A DULY AUTHORIZED AGENT OF MITEK CORPORATION. THIS DRAWING IS SUBJECT TO RECALL BY MITEK CORPORATION AT ANY TIME. ALL PATENT RIGHTS AND COPYRIGHTS ARE RESERVED BY MITEK CORPORATION.

A

B

C

D



A

B

C

D