

DMA-ML & WTSD-ML

DMA AMPLIFIER MIC/LINE INPUT WALL PLATES

USER MANUAL



DMA-ML & WTSD-ML

DMA AMPLIFIER MIC/LINE INPUT WALL PLATES



USER MANUAL

TABLE OF CONTENTS

Product Summary	3
Key Features.....	3
DMA-ML vs. WTSD-ML.....	4
DMA-ML Front Panel	5
DMA-ML Rear Panel	6
Mic/Line Input Settings DIP Switches	7
Setting the DMA-ML Limiter Trigger Threshold	7
Adjusting the DMA-ML Limiter Activation Point.....	8
Connecting the DMA-ML to a DMA Amplifier WTSD Input.....	9
Connecting Multiple WTSD Accessories to the Same Bus.....	9
DMA Amplifier & 3 Wall Plate Accessories in Series	9
WTSD-PWBOB	10
WTSD Power Supply.....	10
Connecting a WTSD-ML (Kit) to a Generic Amplifier.....	10
Generic Amplifier & 3 Wall Plate Accessories in Series	11
WTSD-ML Analog Signal Converted to Dante® Digital Audio.....	11
Product Images & Dimensions	12
Specifications/Performance	14
Limited Warranty	19
Service	19

DMA-ML & WTSD-ML

DMA AMPLIFIER MIC/LINE INPUT WALL PLATES



USER MANUAL

PRODUCT SUMMARY

The AtlasIED DMA-ML and WTSD-ML are part of the DMA Digital Mixer Amplifier accessory line and the WTSD active wall plate series. Two versions of the mic/line preamp wall plate are available: the DMA-ML, which connects directly to a DMA amplifier, and the WTSD-ML, which connects to any audio system with a balanced line input. Both models use the same mic/line receiver wall plate and integrate seamlessly with audio systems.

The DMA-ML connects to the DMA amplifier using an installer friendly, color coded system that utilizes industry standard Cat5/6 cabling and RJ45 connectors. The WTSD-ML functions as a universal mic/line preamplifier and requires a PWBOB analog interface box and external power supply to operate. Both wall plate versions can be installed up to 330 ft (100 meters) from the amplifier, providing flexible placement options.

Both the DMA-ML and WTSD-ML use commercial-grade microphone preamplifiers featuring ultra-low noise performance, high-gain output, mic or line level selection, phantom power, 20 dB pad, 120 Hz high pass filter and rotary detented level control. The wall plate fits into a standard single gang electrical box or low voltage ring and requires only 1.5 inches (38 mm) of clearance depth.

The proprietary AtlasIED WTSD low voltage bus can support up to three WTSD devices daisy-chained together. This creates a single summed audio signal while maintaining independent control at each WTSD device. The DMA-ML includes an onboard signal limiter to manage the level placed on the summed bus, with adjustable settings from -3 dB to 21 dB. The DMA-ML faceplate provides signal and limiter status indicators.

KEY FEATURES

- Mic or line modes
- Rotary level control
- Output limiter
- Phantom power
- 20 dB mic pad
- 120 Hz high pass filter (defeatable)
- Color-coded RJ45 interface with DMA series amplifiers
- Utilizes standard Cat5/6 Cable
- Surface mount design (no cover plate required)
- Signal & limit indicator
- Fits into 1-gang electrical boxes or low voltage rings
- Can be mounted up to 100 meters from a DMA series amplifier
- Linkable with other WTSD series units on the same bus
- High-gain, balanced line output for long-distance applications



DMA-ML & WTSD-ML

DMA AMPLIFIER MIC/LINE INPUT WALL PLATES



USER MANUAL

DMA-ML VS. WTSD-ML

The AtlasIED DMA-ML is part of the DMA Digital Mixer-Amplifier accessory line, and the WTSD-ML is part of the WTSD universal active wall plate series. Both the AtlasIED DMA-ML and the WTSD-ML utilize the same Bluetooth receiver wall plate. The only difference is how they interface with products. The DMA-ML connects directly to a DMA amplifier by means of a dedicated interface, and the WTSD-ML connects to a universal analog interface box that enables it to be used with any audio system with a balanced line input. Both models integrate seamlessly into most any audio system.

DMA-ML

The DMA-ML consists of only a DMA-ML Bluetooth receiver wall plate.



DMA-ML Wall Plate

DMA-ML connects directly to DMA Amplifier



WTSD-ML

The WTSD-ML is a kit that consists of a DMA-ML mic/line input wall plate, a PWBOB analog interface box and an external power supply. **Note: The WTSD-ML wall plate is the exact same as the DMA-ML.**

The WTSD-ML features a universal interface box that allows the DMA-ML to connect to any audio system with a balanced line input such as the AtlasIED Atmosphere line of DSP multizone processors. The DMA Control App is used to program the DMA-ML mic/line input wall plate. Follow the DMA-ML programming instructions in this manual.



DMA-ML Wall Plate

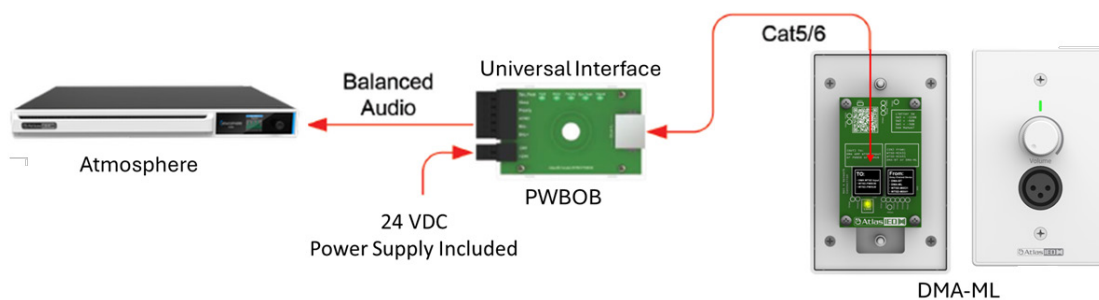


WTSD-PWBOB



WTSD 24 VDC Power Supply

WTSD-ML connects to Universal Interface Box



DMA-ML & WTSD-ML

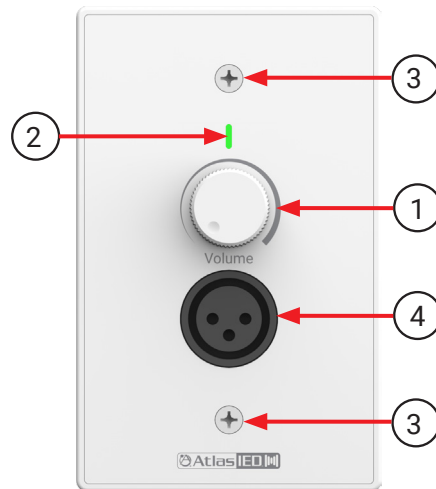
DMA AMPLIFIER MIC/LINE INPUT WALL PLATES



USER MANUAL

DMA-ML FRONT PANEL

The DMA-ML and WTSD-ML utilize the same wall plate.



1. **Level Control** – Volume level control.
2. **Signal / Limit LED** – Illuminates Green when a signal is present. Illuminates Yellow when a signal has reached the limiter threshold. Refer to **Setting the DMA-ML Limiter Trigger Threshold** on page 7.
3. **Mounting Screw** – 6/32 × 1"
4. **XLR Input** – Configurable as a microphone or balanced line input. See **Mic/Line Input Settings DIP Switches** on page 7.



DMA-ML & WTSD-ML

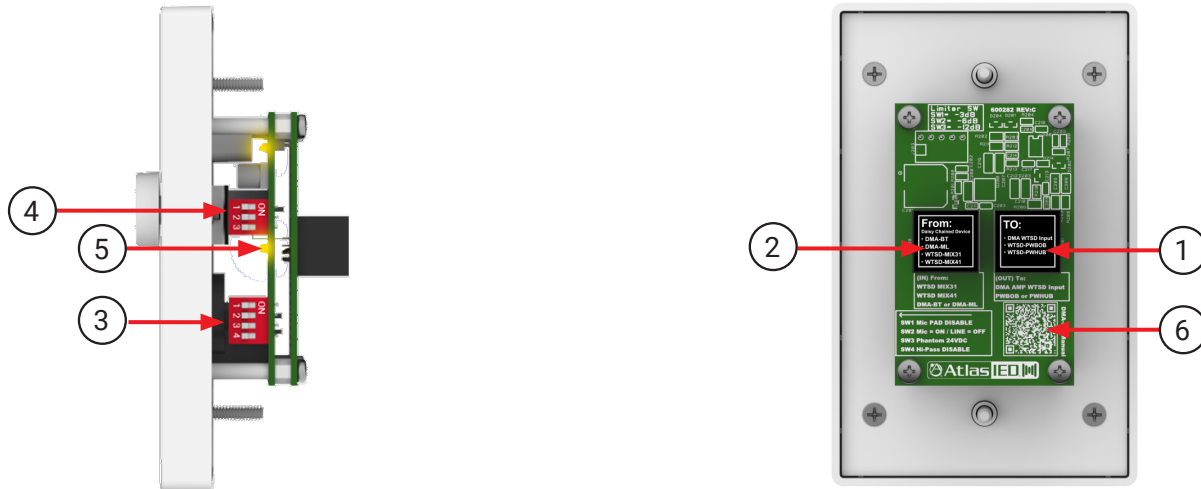
DMA AMPLIFIER MIC/LINE INPUT WALL PLATES



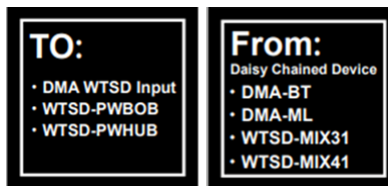
USER MANUAL

DMA-ML REAR PANEL

The DMA-ML and WTSD-ML utilize the same wall plate.



1. **RJ45 Connection TO** – This port connects directly to the DMA WTSD Input using a Cat5/6 cable. Refer to **Connecting the DMA-ML to a DMA Amplifier WTSD Input** on page 9. When using a WTSD version, this port connects to the WTSD PWBOB. Refer to **Connecting a WTSD-ML (Kit) to a Generic Amplifier** on page 10.



- 2. **RJ45 Connection From** – This port is used to daisy chain devices connected via the WTSD bus to other WTSD Devices. Refer to **Connecting Multiple WTSD Accessories to the Same Bus** on page 9.
- 3. **Mic / Line Input DIP Switches** – This set of four DIP switches is used to configure the XLR input. Refer to **Mic/Line Input Settings DIP Switches** on page 7.
- 4. **Limiter DIP Switches** – The rear panel contains a set of three DIP switches for manually setting the level at which the onboard limiter engages. Refer to **Setting the DMA-ML Limiter Trigger Threshold** on page 7.
- 5. **Limiter Threshold LED** – This LED provides a means of gauging the proper limiter threshold setting when adjusting the limiter threshold DIP switch(es). Refer to **Adjusting the DMA-ML Limiter Activation Point** on page 8.
- 6. **DMA-ML Support Files QR Code Link** – Scan the QR code link to be taken to support files on the [Atlasied.com](https://atlasied.com) website.

REAR PANEL - (CONTINUED ON NEXT PAGE)

DMA-ML & WTSD-ML

DMA AMPLIFIER MIC/LINE INPUT WALL PLATES



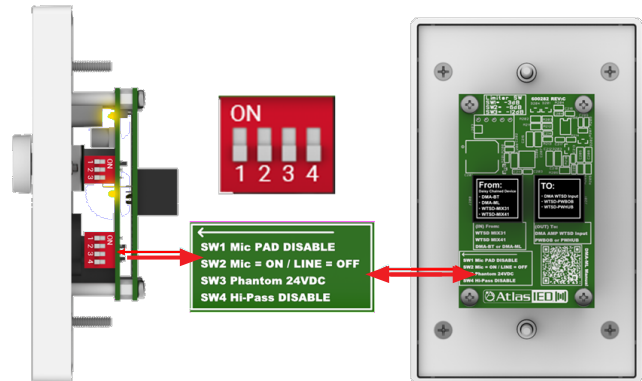
USER MANUAL

DMA-ML REAR PANEL - (CONTINUED)

MIC/LINE INPUT SETTINGS DIP SWITCHES

There are four switches used to configure the XLR input.

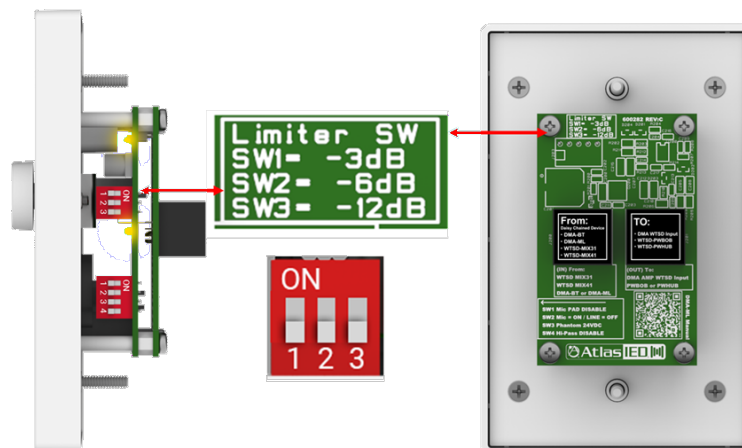
- **SW1 = Mic Pad Disable** – When in the ON (Up) position, the 20 dB mic pad is disabled. When in the OFF (Down) position, the mic pad is active.
- **SW2 = Mic or Line Gain** – When in the ON (Up) position, the XLR input is in Microphone mode. When in the OFF (Down) position, the XLR input is in Line mode.
- **SW3 = Phantom Power** – When in the ON (Up) position, phantom power is enabled.
- **SW4 = Hi Pass Filter** – When in the ON (Up) position, a 125 Hz/12 dB hi pass filter is enabled.



SETTING THE DMA-ML LIMITER TRIGGER THRESHOLD

The rear panel contains a set of three DIP switches for manually setting the level at which the onboard limiter engages.

Selections are -3 dB (Switch 1), -6 dB (Switch 2), and -12 dB (Switch 3). They are accumulative. For example: if only Switch 1 (-3 dB) is on the ON position (Up), the threshold is set at -3 dB. If both Switch 1 and Switch 2 are set to the ON position, the limiter threshold is -9 dB. When all three switches are in the ON position, the threshold activation point is -21 dB.



REAR PANEL - (CONTINUED ON NEXT PAGE)

DMA-ML & WTSD-ML

DMA AMPLIFIER MIC/LINE INPUT WALL PLATES



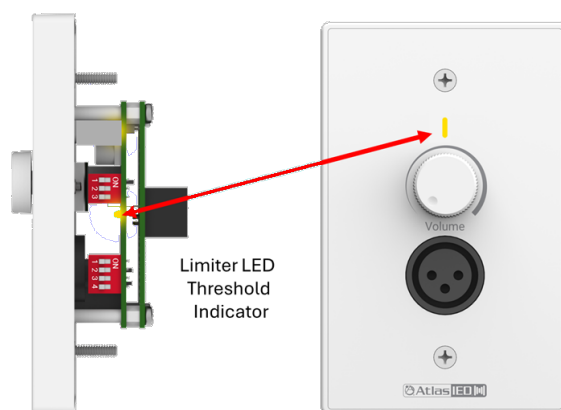
USER MANUAL

DMA-ML REAR PANEL - (CONTINUED)

ADJUSTING THE DMA-ML LIMITER ACTIVATION POINT

Do the following when adjusting the DMA-ML limiter.

1. Verify that all switches are in the OFF (Down) position.
2. Adjust the audio system level to maximum.
3. On the DMA-ML, set all three DIP switches to the ON (Down) position until the signal LEDs (on the front and rear panel for convenience) illuminate yellow. Adjust by sliding the DIP switch(es) to the positions at which the LED illuminates yellow at the desired threshold level.



DMA-ML & WTSD-ML

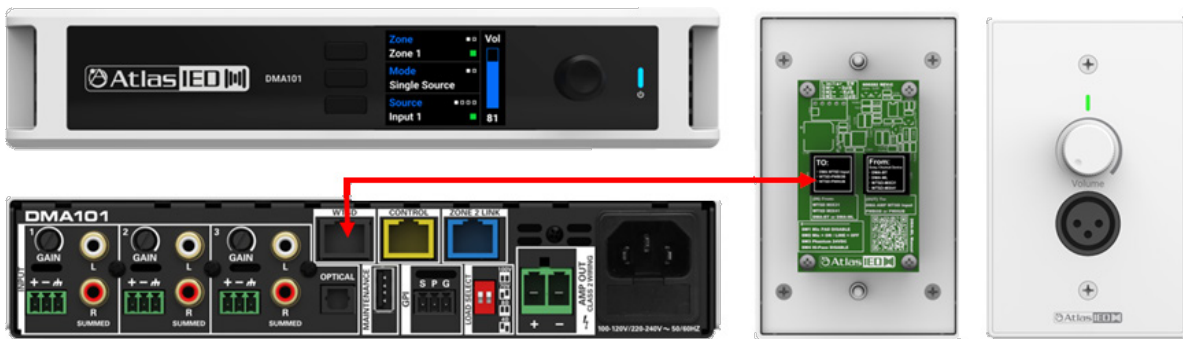
DMA AMPLIFIER MIC/LINE INPUT WALL PLATES

USER MANUAL



CONNECTING THE DMA-ML TO A DMA AMPLIFIER WTSD INPUT

Use a Cat5/6 cable to connect a DMA amplifier WTSD with the DMA-ML "To" RJ45 port. **Note:** The maximum cable length is 330 ft (100 m).



CONNECTING MULTIPLE WTSD ACCESSORIES TO THE SAME BUS

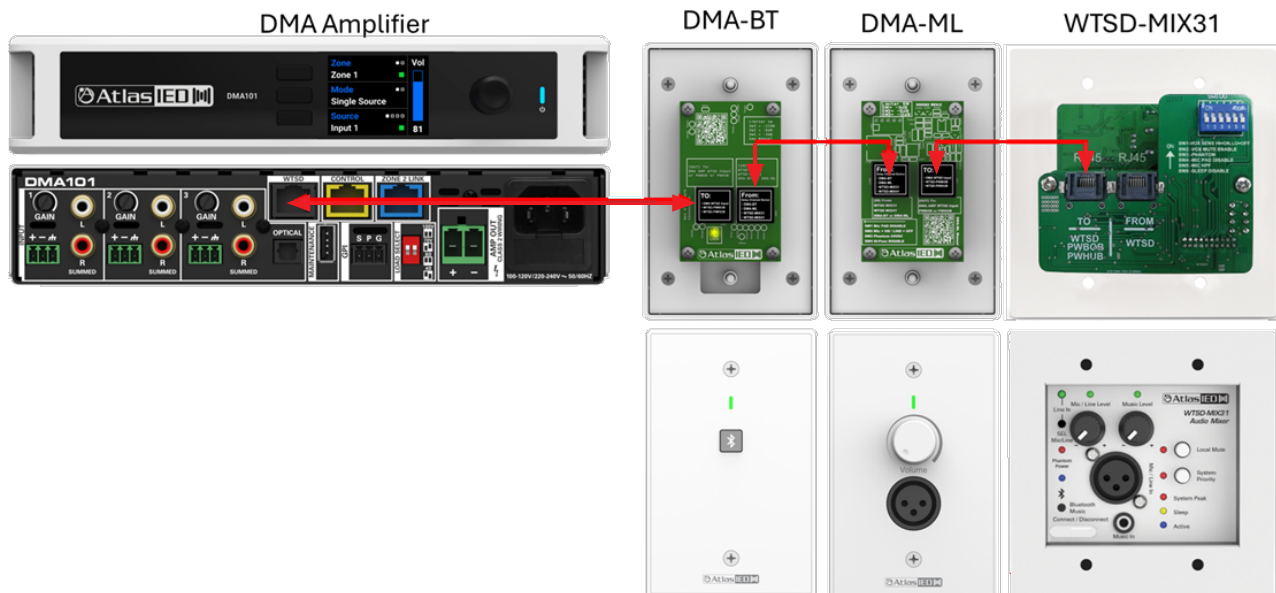
Any combination of up to three WTSD-MIX31, WTSD-MIX41, and DMA-ML accessories can be connected in series. Individual audio signals are combined and summed into a single audio signal. Use Cat5/6 cable to link these devices via their RJ45 ports, carefully following the "TO" and "From" connections labels. The same information applies when connecting to a DMA amplifier or connecting to a generic amplifier using the PWBOB.

TO: <ul style="list-style-type: none">• DMA WTSD Input• WTSD-PWBOB• WTSD-PWHUB	From: <ul style="list-style-type: none">• Daisy Chained Device• DMA-BT• DMA-ML• WTSD-MIX31• WTSD-MIX41
---	---



DMA AMPLIFIER & 3 WALL PLATE ACCESSORIES IN SERIES

The illustration below shows an example series connection between three WTSD bus accessories and a DMA series mixer-amplifier.



DMA-ML & WTSD-ML

DMA AMPLIFIER MIC/LINE INPUT WALL PLATES



USER MANUAL

WTSD-PWBOB

The PWBOB is an analog interface for the WTSD-ML.



1. **Power Supply Input** – Connection for a 24 VDC power supply. **Note:** Ensure supply polarity (+ and –) is correct. A 2-position connector is pre-installed on the leads of the 24 VDC, 1 A power supply included with the kit.
2. **Balanced Output** – This 3-position port provides a balanced audio output for connecting to an audio mixer or amplifier input. Follow the wiring information for the system interface. For unbalanced signals, connect the (GND) and the (–) terminals together. A removable 3-position, 3.5 mm pitch Euroblock / Phoenix connector is included.
3. **RJ45-to-WTSD Interface** – Connect a Cat5/6 cable between the WTSD RJ45 input marked “TO” and the RJ45 port marked “FROM” on the DMA-ML.
4. **System Peak Logic Pin, Sleep Mode Pin, Priority Pin** – Not used with the DMA-ML.

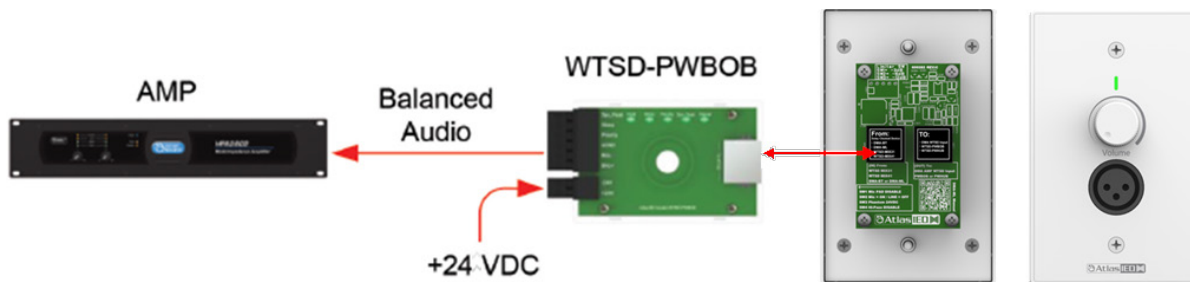
WTSD POWER SUPPLY

24 VDC, 500 mA (minimum) power supply included in the WTSD-ML kit.



CONNECTING A WTSD-ML (KIT) TO A GENERIC AMPLIFIER

The WTSD-ML kit consists of a DMA-ML Wall Plate, WTSD-PWBOB analog interface & 24 VDC power supply. Refer to the illustration below for connecting to a generic amplifier with a balanced input.



DMA-ML & WTSD-ML

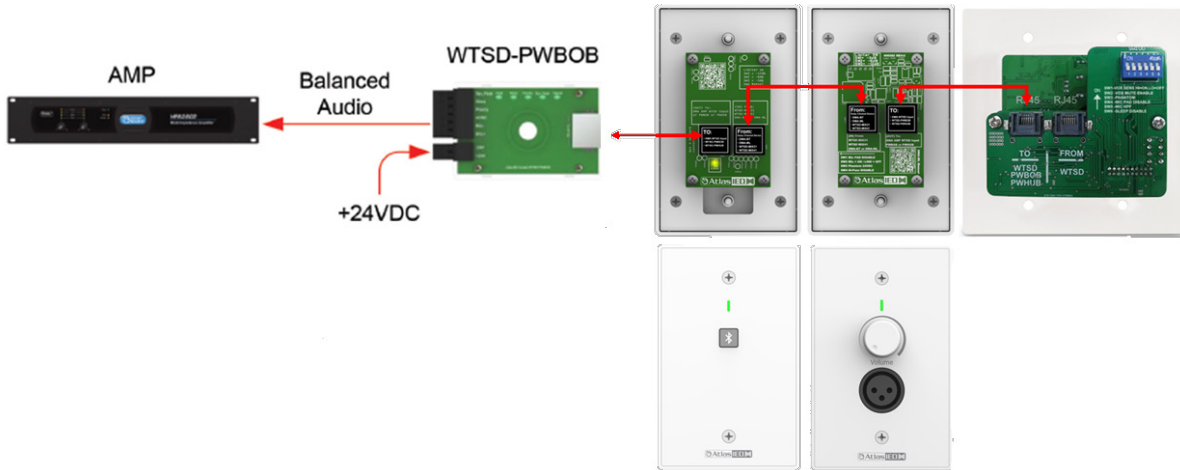
DMA AMPLIFIER MIC/LINE INPUT WALL PLATES



USER MANUAL

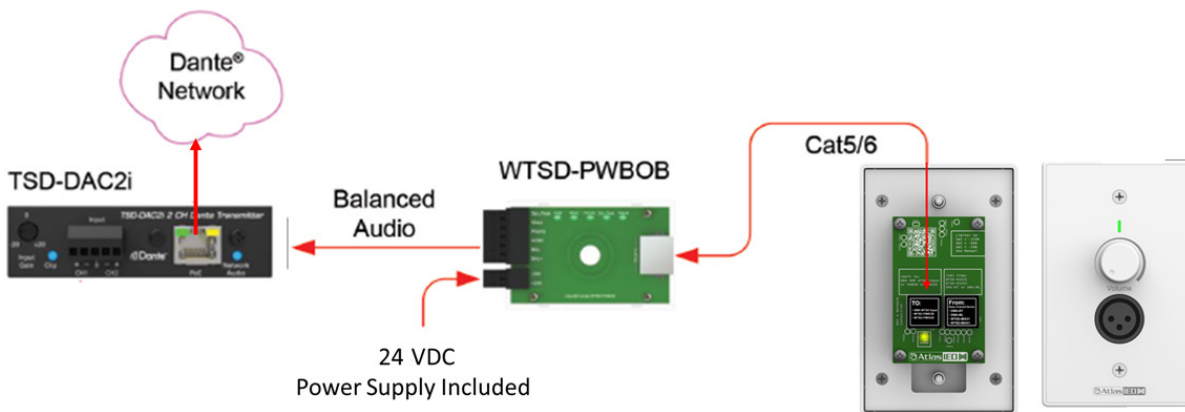
GENERIC AMPLIFIER & 3 WALL PLATE ACCESSORIES IN SERIES

Follow the illustration below for connecting a WTSD-ML kit to a generic amplifier and three AtlasIED wall plate accessories in series.



WTSD-ML ANALOG SIGNAL CONVERTED TO DANTE® DIGITAL AUDIO

Follow the illustration below for connecting a WTSD-ML kit to a Dante digital audio converter.



DMA-ML & WTSD-ML

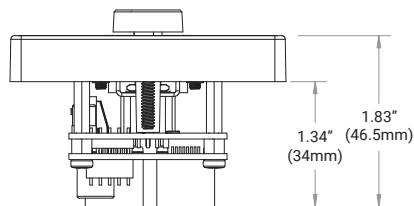
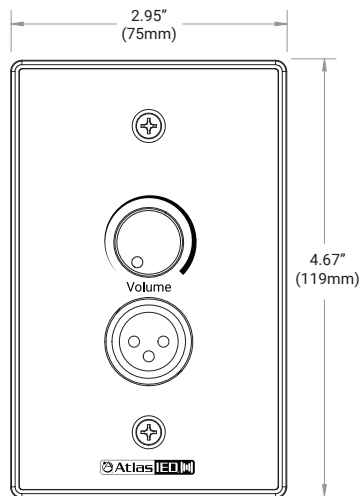
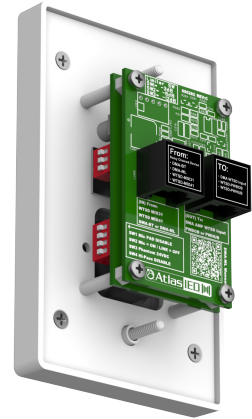
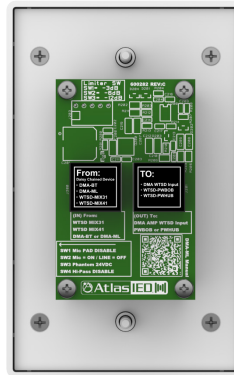
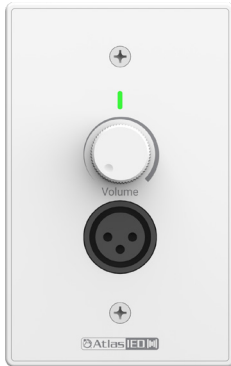
DMA AMPLIFIER MIC/LINE INPUT WALL PLATES



USER MANUAL

PRODUCT IMAGES & DIMENSIONS

DMA-ML



DMA-ML & WTSD-ML

DMA AMPLIFIER MIC/LINE INPUT WALL PLATES



USER MANUAL

SPECIFICATIONS/PERFORMANCE

System	
Model	DMA-ML
Type	Microphone / Line Input Audio Wall Plate
Model	WTSD-ML
Type	Microphone / Line Input Audio Wall Plate & Interface Kit
WTSD-ML Kit Contents	DMA-ML Audio Wall Plate, PWBOB (Injector), external 24 VDC, 500 mA power supply
Mic or Line Input Mode	
Input Type	Balanced Mic or Line
Selection Method	Selectable via switch settings (rear panel)
Connection Type	XLR female socket, Qty 1
XLR Location	Front Panel
Line Input Mode	
Level	500 mV (-6 dBV). Balanced = 1V (0 dBV) (Balanced Output)
Impedance	1.2 k Ω (Balanced), 600 Ω (Unbalanced)
Maximum Input	6.8 V (+16.5 dBV)
Maximum Output	4V (+12 dBV) (Balanced Output)
Frequency Response	30 Hz – 20KHz (-1 dB),
THD	0.15%
Noise	56 μ V (Level Max)
Mic Input Mode - No Pad	
Impedance	1.2 k Ω (Balanced), 600 Ω (Unbalanced)
Input Gain	43 dBu, (5 mV (-46 dBV) = 1 V (0 dBV)) (Balanced Output)
Maximum Input	70 mV (-23 dBV)
Maximum Output	4 V (+12 dBV) (Balanced Output)
Frequency Response	60 Hz – 12KHz (-1dB)
THD	0.10%
Noise	320 μ V (Level Max)
CMRR	70 dB
Dynamic Headroom	100 dB
Mic Input w/ -20 dB Pad	
Gain w/ -20 dB Pad	23 dB, (50 mV (-26 dBV) = 1 V (0 dBV) (Balanced Output)
Maximum Input w/ -20 dB Pad	710 mV (-2.97 dBV)
Maximum Output w/ -20 dB Pad	4 V (+12 dBV) (Balanced Output)
Frequency Response	30 Hz – 12 kHz (-1 dB)
THD	0.18%
Noise	58 μ V (Level Max)
CMRR	70 dB
Dynamic Headroom	100 dB



DMA-ML & WTSD-ML

DMA AMPLIFIER MIC/LINE INPUT WALL PLATES



USER MANUAL

SPECIFICATIONS/PERFORMANCE - (CONTINUED)

DMA-ML Bus Input	
Input Type - Bus	(IN) from DMA-ML, WTSD-MIX31, or WTSD-MIX41 (Supports any three of these devices daisy-chained – sums audio signal)
Connection	RJ45 (Black)
Audio	Analog Balanced Line (part of bus)
Location	Rear Panel
Network	No: Proprietary WTSD bus.
DMA-ML Bus Outputs	
Output Type - Bus, Proprietary	(OUT) to DMA Amp WTSD Input, WTSD-PWBOB, or WTSD-PWHUB
Connection	RJ45 (Black)
Interface Component	(OUT) to DMA amplifier WTSD Input, WTSD-PWBOB or WTSD-PWHUB
Audio	Analog balanced line (part of bus)
Location	Rear Panel
Network	No
Controls - Front Panel	
Level Control	
Function	Adjust audio output level
Potentiometer Type	10 kΩ, detented
Location	Front Panel
Function Switch #1	
Switch Type	DIP switch
Location	Rear panel
Number of Switches	Qty. 4
SW1 - Mic Pad Disable	When the switch is in the ON position, the -20 dBu mic pad is disabled.
SW2 - Mic/Line	When the switch is in the ON position, the Mic Mode is enabled. In the OFF position, Line Mode is enabled.
SW3 - Phantom (24 VDC)	When in the ON position, phantom power is enabled.
SW4 - Low-Cut Filter	When the switch is in the ON position, the 125 Hz / 12dB HPF is disabled.
Function Switch #2	
Switch Type	DIP switch
Location	Rear panel
Number of Switches	Qty. 3
Limiter Function	Limits audio output signal
SW1 Limiter	-3 dB
SW2 Limiter	-6 dB
SW3 Limiter	-12 dB
SW 1, 2, 3 ON	Accumulative up to -21 dB
Indicators - DMA-ML	
Signal/Limit	
Function	Illuminates when 5 mV of audio signal present at output
Type	Bi-color LED
Color	Green
Location	Front Panel



DMA-ML & WTSD-ML

DMA AMPLIFIER MIC/LINE INPUT WALL PLATES



USER MANUAL

SPECIFICATIONS/PERFORMANCE - (CONTINUED)

Limit - Front Panel	
Function	Illuminates when audio signal triggers limiter threshold
Type	Bi-color LED
Color	Yellow when activated. Rear panel LED activates in parallel with front panel LED.
PWBOB Input (WTSD Kit)	
Bus Connection	
Bus Interface	From DMA-ML
Connector	RJ45 (Black)
Location	PWBOB side
Network	No: Proprietary WTSD bus.
WTSD Power Supply Input	
Connector	Euroblock, 2-position, 3.5 mm pitch
Power Supply Voltage	24 VDC
PWBOB Output	
Output Type	Proprietary bus
Connector	Euroblock (Phoenix), 2-position, 3.5 mm pitch
Audio Connection	3-position analog balanced line
Other Pins	Other three (3) connections not used with DMA-ML
Location	PWBOB Chassis Side
PWBOB Indicators	
Power LED	Green
Output Signal	Green
Other LEDs	Not functional with DMA-ML
Technical Data - DMA-ML	
Frequency Response	40 Hz – 20 kHz \pm 1 dB
THD	0.1% @ 1 kHz @ 100 ft.
Audio Output	Balanced line. Maximum output: 4 V
DCV Bus	24 VDC
S/N Ratio	Music input: 81 dB @ 100 ft. using Cat5/6 cable; 77 dB @ 330 ft.; Mic input: 75 dB @ 100 ft. Cat5/6 cable; 72 dB @ 400 ft.; Music input: 77 dB @ 100 ft.; Cat5/6 cable, 74 dB @ 400 ft Note: For signal unit measurement, levels were set to maximum. Noise was referenced to a 1 V / 0 dBV output. Noise varies with Cat5/6 cable length.
Signal Indicator on Threshold	5 mV
DMA-ML Interface Connection	
Connector Type	RJ45
Connector Color Code	Black
Connection Interface	To DMA Amplifier WTSD Input & WTSD-PWBOB
Cable Type	Cat5/6 (Unshielded)
Maximum Cable Length	330 ft (100 m)



DMA-ML & WTSD-ML

DMA AMPLIFIER MIC/LINE INPUT WALL PLATES



USER MANUAL

SPECIFICATIONS/PERFORMANCE - (CONTINUED)

Ambient Operating Conditions - DMA-ML	
Maximum Operating Temperature	104° F / 40° C
Minimum Operating Temperature	14° F / -10° C
Maximum Humidity	90%
Mounting - DMA-ML Wall Plate	
Wall Controller - Electrical Box	1-Gang Electrical Box. Minimum depth: 1.5" (38 mm)
Wall Controller - Surface Mount	Low-voltage ring. Minimum clearance: 1.5" (38 mm)
DMA-ML Power Requirements	
DMA Amp Direct	DMA -ML connected to DMA-WTSD Input
DC Current Draw	110 mA ¹
British Thermal Units	8.5 Btu ¹
DMA-ML Connected to WTSD-PWBOB	
AC Mains	95 V – 260 V, 50 / 60 Hz
Supply Voltage	24 VDC (24 VDC, 500 mA power supply included with WTSD-BT)
DC Current Draw	110 mA ¹
AC Power Supply Consumption - Amperes	52 mA ¹
AC Power Consumption - Watts	2.5 W ¹
British Thermal Units	8.5 Btu ¹
Safety & Certifications	
TÜV	CE, FCC
Mechanical - DMA-ML	
Chassis Finish	White
Chassis Material	Plastic and Steel
Product Dimensions (H × W × D1=Mounting Depth and D2=Total)	4.7" × 3" × D1 = 1.34", D2 = 1.85" (119 mm × 76 mm × D1 = 34 mm, D2 = 47 mm)
Unit Weight	0.46 lb. (0.21 kg)
DMA-ML Package Contents	
DMA-ML	Qty. 1
Hardware	Qty. 4 Screws 6/32" × 1 Pan Head, White (2 spares)
Manual QR Code	Qty. 1



DMA-ML & WTSD-ML

DMA AMPLIFIER MIC/LINE INPUT WALL PLATES



OWNER'S MANUAL

SPECIFICATIONS/PERFORMANCE - (CONTINUED)

WTSD-ML Package Contents	
DMA-ML	Qty. 1
PWBOB	Qty. 1
Power Supply (24 VDC)	Qty. 1
Hardware	Qty. 4, Screws: 6/32" x 1" Pan Head, White (2 spares)
Manual QR Code	Qty. 1
Shipping - DMA-ML	
Shipping Dimensions (H x W x D)	6.25" x 4.62" x 3.26" (158 mm x 117 mm x 83 mm)
Shipping Weight	0.74 lbs. (0.33 kg)
Shipping - WTSD-ML	
Shipping Dimensions (H x W x D)	3.46" x 4.68" x 6.4" (88 mm x 119 mm x 163 mm)
Shipping Weight	1.32 lbs. (0.6 kg)

Notes:

1 - Average current draw, watts, and Btu are based on one WTSD- or DMA-ML. For each WTSD or DMA-ML added in series, calculate the total draw. Example: Two WTSDs=104 mA. Three WTSDs=156 mA of DC current draw.



DMA-ML & WTSD-ML

DMA AMPLIFIER MIC/LINE INPUT WALL PLATES



USER MANUAL

LIMITED WARRANTY

All products manufactured by AtlasIED are warranted to the original dealer / installer, industrial or commercial purchaser to be free from defects in material and workmanship and to be in compliance with our published specifications, if any. This warranty shall extend from the date of purchase for a period of three years on all AtlasIED products, including SOUNDOLIER brand, and ATLAS SOUND brand products except as follows: one year on electronics and control systems; one year on replacement parts; and one year on Musician Series stands and related accessories. Additionally, fuses and lamps carry no warranty. AtlasIED will solely at its discretion, replace at no charge or repair free of charge defective parts or products when the product has been applied and used in accordance with our published operation and installation instructions. We will not be responsible for defects caused by improper storage, misuse (including failure to provide reasonable and necessary maintenance), accident, abnormal atmospheres, water immersion, lightning discharge, or malfunctions when products have been modified or operated in excess of rated power, altered, serviced or installed in other than a workman like manner. The original sales invoice should be retained as evidence of purchase under the terms of this warranty. All warranty returns must comply with our returns policy set forth below. When products returned to AtlasIED do not qualify for repair or replacement under our warranty, repairs may be performed at prevailing costs for material and labor unless there is included with the returned product(s) a written request for an estimate of repair costs before any non-warranty work is performed. In the event of replacement or upon completion of repairs, return shipment will be made with the transportation charges collect.

EXCEPT TO THE EXTENT THAT APPLICABLE LAW PREVENTS THE LIMITATION OF CONSEQUENTIAL DAMAGES FOR PERSONAL INJURY, ATLASIED SHALL NOT BE LIABLE IN TORT OR CONTRACT FOR ANY DIRECT, CONSEQUENTIAL OR INCIDENTAL LOSS OR DAMAGE ARISING OUT OF THE INSTALLATION, USE OR INABILITY TO USE THE PRODUCTS. THE ABOVE WARRANTY IS IN LIEU OF ALL OTHER WARRANTIES INCLUDING BUT NOT LIMITED TO WARRANTIES OF MERCHANTABILITY AND FITNESS FOR A PARTICULAR PURPOSE.

AtlasIED does not assume, or does it authorize any other person to assume or extend on its behalf, any other warranty, obligation, or liability. This warranty gives you specific legal rights and you may have other rights which vary from state to state.

SERVICE

Should your DMA-ML or WTSD-ML require service, please contact the AtlasIED warranty department through the online warranty claim process.

Online Warranty Claim Processes

1. Warranty submissions are accepted at: https://www.atlasied.com/warranty_statement where the type of return Warranty or Stock return can be selected.
2. Once selected, you will be prompted to enter your login credentials. If you do not have a login, register on the site. If already logged-in, navigate to this page by selecting "Support" and then "Warranty & Returns" from the top menu.
3. In order to file a Warranty Claim, you will need:
 - A. A copy of the invoice / receipt of the purchased item
 - B. Date of Purchase
 - C. The product name or SKU
 - D. The serial number for the item (if no serial number exists, enter N/A)
 - E. A brief description of the fault for the claim
4. Once all required fields are completed, select the "Submit Button." You will receive 2 emails:
 1. One with a confirmation of the submission
 2. One with a case# for your reference should you need to contact us.

Please allow 2-3 business days for a response with a Return Authorization (RA) number and further instructions.

AtlasIED Tech Support can be reached at 1-800-876-3333 or atlasied.com/support.

Visit our website at www.AtlasIED.com to see other AtlasIED products.

©2026 Atlas Sound L.P. The Atlas "Circle A", Soundolier, and Atlas Sound are trademarks of Atlas Sound L.P. IED is a registered trademark of Innovative Electronic Designs LLC. All Rights Reserved. All other trademarks are the property of their respective owners. All specs are subject to change without notice. ATS008637 RevA 3/26