



C-T4 / C-T4BT

ATMOSPHERE WALL CONTROLLER



TECHNICAL DATA SHEET

PRODUCT SUMMARY

The AtlasIED Atmosphere C-T4 series wall controllers bring advanced functionality and intuitive design to the Atmosphere audio control system. Featuring a 4.3-inch programmable touchscreen, capacitive touch volume slider, and customizable action buttons, these controllers make managing zones, sources, and system actions effortless.

Built with a PIR motion sensor, the C-T4 series adds intelligent automation by triggering system behavior based on room occupancy. Designed for seamless plug-and-play integration, the C-T4 series controllers connect directly to Atmosphere AZM head-end processors via Cat5e cabling and support daisy-chaining over distances of up to 1,000 feet, ensuring flexible installation options. With a sleek 2-gang design, the C-T4 series fits into standard wall boxes and is available in four variants to meet aesthetic and functional preferences, including options for Bluetooth audio and color finishes in black or white. Ideal for commercial spaces, the C-T4 series combines innovative control features with elegant design to elevate any audio environment.

For information regarding product installation, see the [C-T4 Installation Guide](#).

FEATURES

- **4.3" Programmable Touchscreen:** Customizable interface for streamlined control of zones, sources, and actions.
- **Capacitive Touch Volume Slider:** Smooth, intuitive volume adjustment for precise audio control.
- **Programmable Action Buttons:** Quick-access buttons for easy execution of preset commands or configurations.
- **PIR Motion Sensor:** Automatically trigger actions or behaviors on the AZM processor based on motion detection.
- **Automatic LCD Brightness:** Adjust LCD brightness automatically based on ambient lighting conditions.
- **Plug-and-Play Integration:** Effortlessly connects to Atmosphere AZM head-end processors for seamless system operation.
- **Daisy-Chain Connectivity:** Supports up to 1,000 feet of daisy-chaining for flexible installation across larger spaces.
- **Multiple Variants:**
 - C-T4: White
 - C-T4-B: Black
 - C-T4BT: White, includes Bluetooth audio
 - C-T4BT-B: Black, includes Bluetooth audio
- **Standard 2-Gang Design:** Easy to install in a wide variety of commercial environments.

APPLICATIONS

- Restaurant / Bar
- Hospitality / Hotels
- House of Worship
- Offices
- Education
- Corporate Centers

C-T4 / C-T4BT

ATMOSPHERE WALL CONTROLLER



TECHNICAL DATA SHEET

TECHNICAL SPECIFICATIONS

C-T4BT (BLUETOOTH MODEL)	
Bluetooth Standard	v4.2
Audio Profile	A2DP
Open Air Range	Up to 100 ft.
Output Type	Stereo (default) or Mono, configurable in AZM web GUI
LED Indicator	Green: Paired Red: Error Blue (pulsing): Pairing mode Blue (blinking): Locating mode Yellow: Firmware updating
Buttons	2× Programmable buttons (A, B) 1× Bluetooth button
Dimensions (Height x Width x Depth)	5.3" × 5.5" × 1.4" (136 mm × 141 mm × 36 mm)
C-T4BT Minimum Box Depth	1.8" (46 mm)
Volume Slider	Capacitive Touch Slider
Motion Sensor Type	PIR
Motion Sensor Range	Up to 30 ft.
Ambient Light Sensor	Yes, automatic LCD/LED brightness
Custom Bluetooth Name	Yes, definable in AZM web GUI
Color Options	White / Black
Operating Temperature	32–104° F (0–40° C)
Compatibility	Compatible with all Atmosphere AZM / AZMP system processor running software v4.5 or greater
Max Number of Units per AZM System	2 (AZM4 / AZMP4 / AZM4-D / AZMP4-D) or 4 (AZM8 / AZMP8 / AZM8-D / AZMP8-D / AZMP8-DW). One per port
C-T4 (NON-BLUETOOTH MODEL)	
Indicator	Red: Error Blue (blinking): Locating mode Yellow: Firmware updating
Button	3× Programmable buttons (A, B, C)
Dimensions (Height x Width x Depth)	5.3" × 5.5" × 1.4" (136 mm × 141 mm × 36 mm)
C-T4 Minimum Box Depth	1.8" (46 mm)
Volume Slider	Capacitive Touch Slider
Motion Sensor Type	PIR
Motion Sensor Range	Up to 30 ft.
Ambient Light Sensor	Yes, automatic LCD/LED brightness
Color Options	White / Black
Operating Temperature	32–104° F (0–40° C)
Compatibility	Compatible with all Atmosphere AZM / AZMP system processor running software v4.5 or greater
Max Number of Units per AZM System	12 per AZM (any model)

C-T4 / C-T4BT

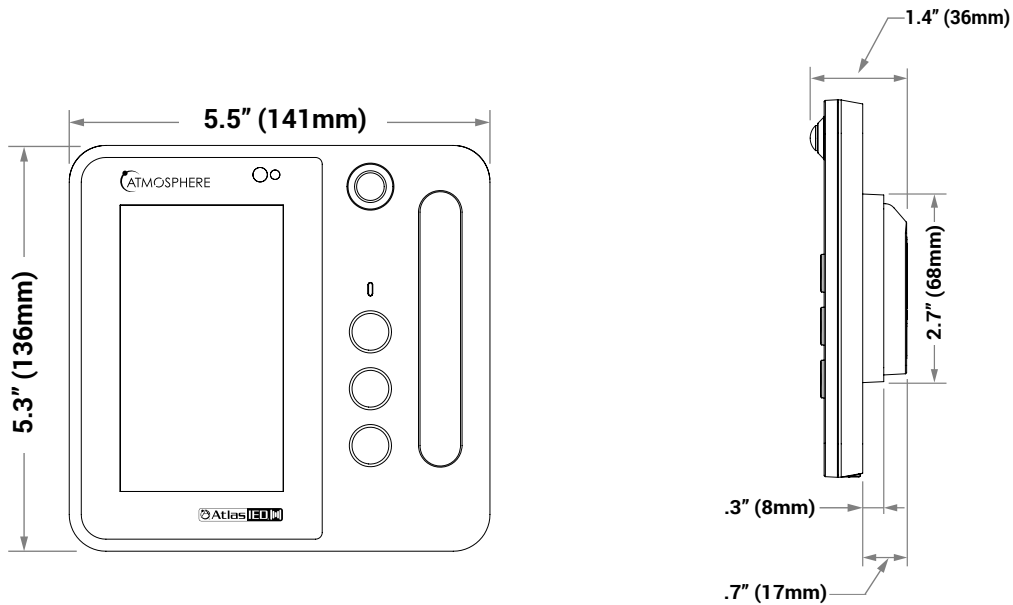
ATMOSPHERE WALL CONTROLLER



TECHNICAL DATA SHEET

DIMENSIONAL DRAWINGS

ITEM	QUANTITY
Height	5.3" (136 mm)
Width	5.5" (141 mm)
Depth	1.4" (36 mm)
Depth From Surface (max)	0.8" (20 mm)
Depth From Surface (LCD)	0.6" (15 mm)
Mounting Depth	0.7" (17 mm)
Mounting Cavity Width	3.7" (94 mm)
Mounting Cavity Height	2.7" (68 mm)
Mounting Cavity Depth	0.3" (8 mm)



C-T4 / C-T4BT

ATMOSPHERE WALL CONTROLLER



TECHNICAL DATA SHEET

COMPATIBILITY AND USAGE

Each Atmosphere Accessory Port can accommodate a single audio accessory and a varying amount of control accessories, limited by the number of “slots” they occupy on a port. Each port allows for a maximum of 8 slots.

Both the C-T4 and C-T4BT occupy 2 of the 8 slots per accessory port. Additionally, the C-T4BT is an audio device and occupies the sole audio slot per accessory port. A maximum of 12 C-T4 devices can be connected to any AZM. A maximum of 2 C-T4BT devices can be connected to 4-Zone AZMs (1 per port, A/B). A maximum of 4 C-T4BT can be connected to 8-Zone AZM (1 per port, A/B/C/D).

MODEL	DESCRIPTION	#POWER SLOTS	AUDIO SLOTS?	MAX PER AZM 4-ZONE *	MAX PER AZM 8-ZONE *
C-T4BT	Multi-zone touch controller w/Bluetooth audio	2	Yes	2	4
C-T4	Multi-zone touch controller	2	No	8	12
C-V	Volume controller	1	No	16	16
C-ZSV	Multi-zone controller	1	No	16	16
X-ZPS	Paging station	3	Yes	2	4
A-RCA	RCA audio input	1	Yes	2	4
A-XLR	XLR audio input	1	Yes	2	4
A-BT	Bluetooth audio input	1	Yes	2	4
X-ANS	Ambient Noise Sensor	1	No	8	8

*Listed maximums do not add together. See the section **Atmosphere Accessory Port Limitations** on page 5 for more information regarding system limitations.

C-T4 / C-T4BT

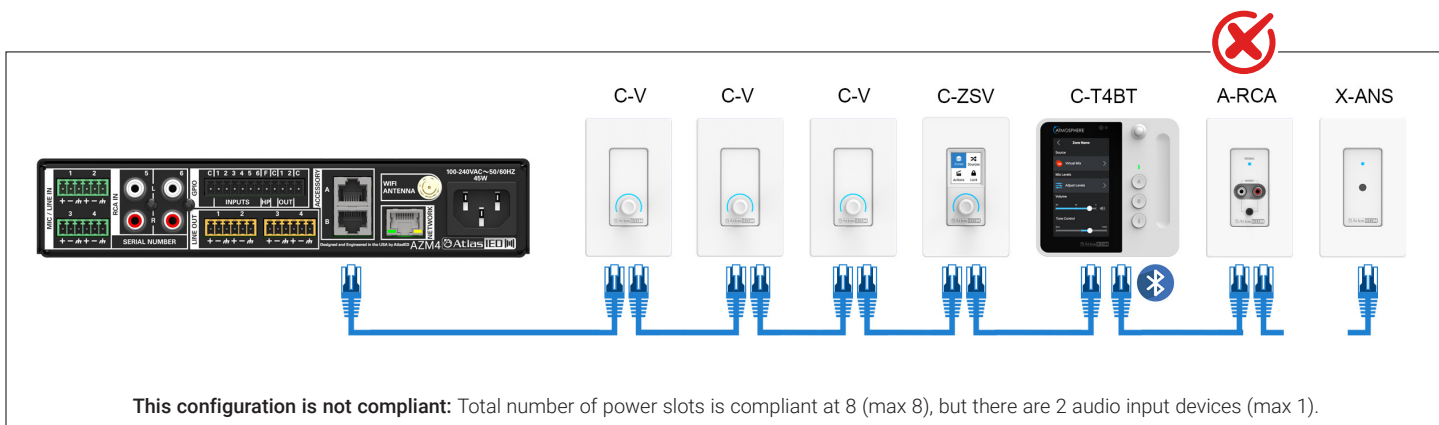
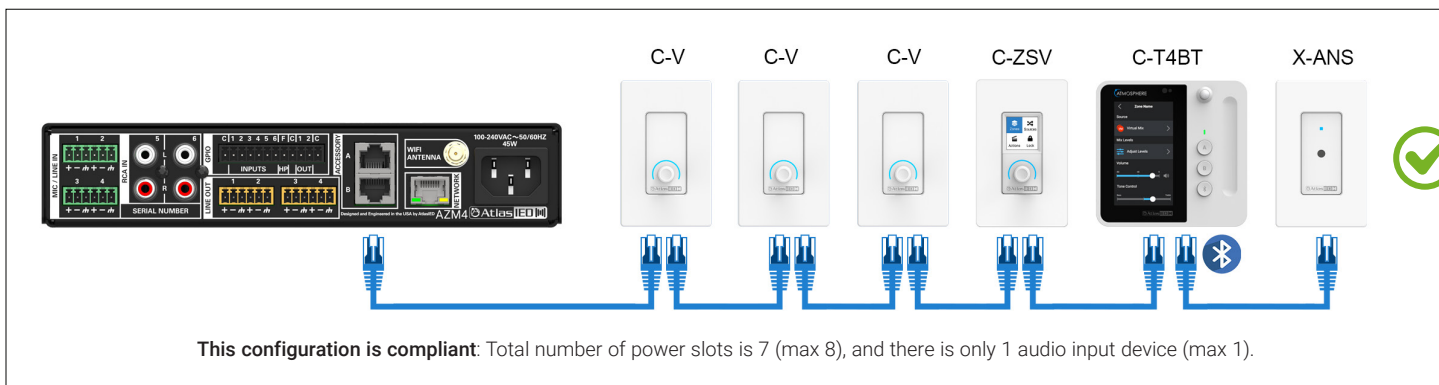
ATMOSPHERE WALL CONTROLLER

TECHNICAL DATA SHEET



ATMOSPHERE ACCESSORY PORT LIMITATIONS

- Up to 16 accessories per AZM / AZMP.
- Up to 8 devices per port (8 slots) in daisy-chain configuration.
- A single (1) audio input per accessory port (A-RCA, A-XLR, A-BT, X-ZPS, C-T4BT).
- Up to 8 ANS sensors per AZM / AZMP across all ports.
- Total daisy-chain length up to 1000 feet.



C-T4 / C-T4BT

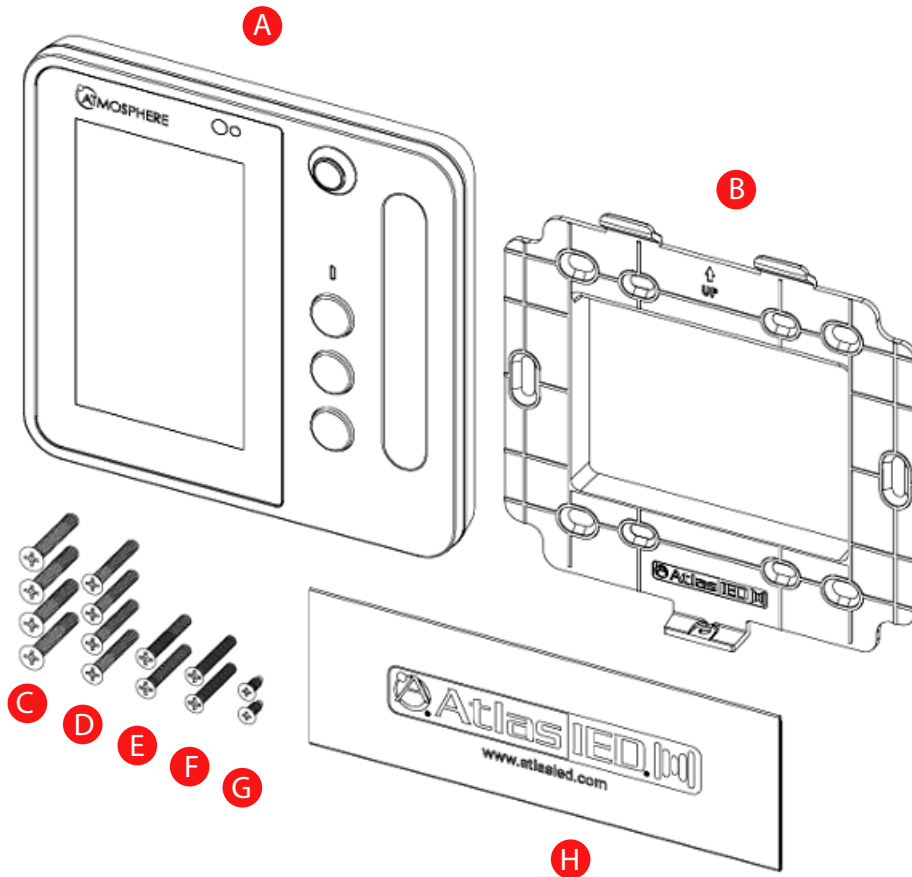
ATMOSPHERE WALL CONTROLLER



TECHNICAL DATA SHEET

PACKAGE CONTAINS

ITEM		QUANTITY
A	C-T4 / C-T4BT touchscreen wall controller	1
B	Mounting bracket, 2-gang	1
C	Imperial mounting screw, 6-32, silver, (typical US)	4
D	Imperial mounting screw, 8-32, black	4
E	Metric mounting screw, M3, black	2
F	Metric mounting screw, M3.5, silver	2
G	Mounting bracket set screw, M3, silver	2
H	Microfiber cleaning cloth	1



C-T4 / C-T4BT

ATMOSPHERE WALL CONTROLLER



TECHNICAL DATA SHEET

ARCHITECT & ENGINEER SPECIFICATIONS

The wall controller shall feature a 4.3-inch programmable capacitive touchscreen display for configuring zones, sources, and recalling system actions. The device shall include a capacitive touch volume slider for precise adjustment of audio levels. Programmable action buttons shall allow for customization to suit specific system requirements.

The wall controller shall incorporate a PIR motion sensor capable of triggering actions or behaviors on the Atmosphere AZM / AZMP head-end processor based on occupancy detection up to 30 ft. Devices shall connect directly to Atmosphere AZM / AZMP head-end processors via a standard Cat5e cabling or better and support daisy-chaining over lengths of up to 1,000 feet.

Four model variants shall be available, differentiated by color and Bluetooth audio functionality: C-T4 (white, no Bluetooth), C-T4BT (white, with Bluetooth), C-T4-B (black, no Bluetooth), and C-T4BT-B (black, with Bluetooth).

The device shall be compatible with standard commercial installation practices, and all connectivity shall be plug-and-play, requiring no additional external power supplies.

The controllers shall be an AtlasIED Atmosphere C-T4, AtlasIED Atmosphere C-T4BT, AtlasIED Atmosphere C-T4-B, and the AtlasIED Atmosphere C-T4BT-B.

©/2026 Atlas Sound LP. The Atlas "Circle A", Soundolier, and Atlas Sound are trademarks of Atlas Sound LP. IED is a Registered Trademark of Innovative Electronic Designs LLC. All rights reserved. All other Trademarks are property of their respective owners. No endorsement is implied. Due to continual product development, specifications are subject to change without notice. AT5008286 RevD 04/26