

FA134T87-LP-DIN

Strategy Series™ 4" Coaxial System Loudspeaker



Features

- 25-Watt, UL Listed, 4" Coaxial Loudspeaker Offers Superb Wide-Range Frequency Response
- Wide-Angle Dispersion for Excellent Sound Coverage in Rooms with Low Ceilings
- Patented System Design Provides Easy Installation
- Front Loads Into Acoustically-Matched System Enclosure, Plaster or Trim Ring
- Offers Choice of System Components Including: Acoustic Enclosure, Tile Bridge, Plaster Ring, Trim Ring, and Hardware-free Grilles
- Custom Transformer Bracket Enables Shallow Mount Depth
- Features DIM Rail Mounted Screw Terminal Connects for Speaker Wire Termination

Applications

The Strategy Series FA134T87-LP-DIN combines superior coaxial loudspeaker performance with wide dispersion and easy installation. When integrated with Strategy Series hardware the patented loudspeaker system (U.S. Patent #5206464) satisfies the needs of owners, architects, contractors, and consultants by delivering true, high-fidelity sound reproduction in an attractive and easy-to-install system. FA134T87-LP-DIN loudspeakers are ideal for high intelligibility voice, music and signal reproduction in commercial, industrial and institutional applications.

General Description

The FA134T87-LP-DIN is the industry's first UL Listed coaxial 4" (127mm) loudspeaker. It handles 25 Watts with excellent low-frequency reproduction and smooth extended response. The unit's 130° dispersion angle effectively reduces the number of loudspeakers necessary to achieve total coverage in distributed systems with low ceilings.

Model FA134T87-LP-DIN has been engineered as a system with a choice of two high performance matched enclosures grille options. Strategy Series high performance enclosure Model FA97-4 is a deep backbox with a volume of 0.10 ft³ complete with acoustic batting. Strategy Series enclosure model FA95-4 is a shorter backbox with a volume of 0.8 ft³. The FA97-4 is offered with and without knockouts (NK) and installs quickly and easily into the ceiling using only a screwdriver to adjust the rotating clamps, or to tighten conventional screws.

Loudspeakers front-load into the enclosure and include a sealing gasket on the back return of the speaker basket which seals the assembly. Loudspeakers may also be wall or ceiling mounted into areas with minimum depth by using plaster ring Model FAPR-4 instead of the enclosure.

Baffle selection includes a choice of four attractive grilles which are equipped with three serrated studs for hardware-free, push-on installation to Strategy Series enclosures. For detailed information on enclosures, grilles, hardware and other system accessories, please refer to SL1-1512.

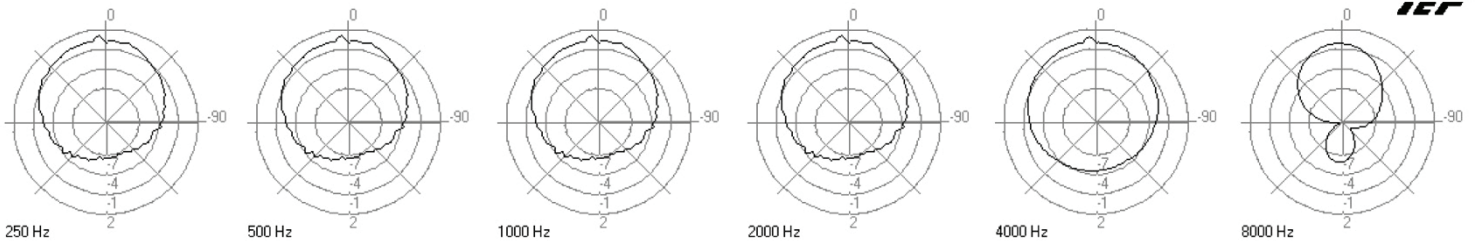
System	
Type	4" Coaxial In-Ceiling Loudspeaker
Power Handling*	25 Watts Peak, 15 Watts RMS
Input Sensitivity at 1W/1m*	92dB Peak, 88dB Average
Impedance	8Ω Nominal, 6Ω Minimum
Frequency Response (+/- 5dB)*	110Hz - 20kHz
Dispersion*	130° (2kHz Octave Band, -6dB Points)
Flux Density	11,300 Gauss, 1.13 Tesla
Crossover	8000Hz
Thiele-Small Parameters	
PE	15 watts
Qes	0.33
Sd	9.3in ²
FS	80Hz
Qms	3.8
LE@1kHz	0.18mH
Xmax	0.05"
BL	7.1 N/A
Mms	2oz
Resistance	5.7Ω
Efficiency	0.56%
Cms	0.13in/lb
Qts	0.30
Vas	0.13 ft ³
Enclosure	
Color	Black
Cone Material	Treated Paper
Surround Material & Damping	SBR (Silicon Based Rubber)
Basket Material	Painted Stamped 20-gauge CRS
VC Former Material	Black Anodized Aluminum
VC Material	High Temperature Copper
VC Winding Width	0.210"
VC Diameter	1" (25mm)
Magnet Weight	Nominal, 10oz (260g)
Top Plate Thickness	0.180"
Bolt Circle Diameter	4.69" (119mm)
Product Dimensions (Diameter x Depth)	5" (127mm) x 4.35" (110mm)
Net Weight - lbs	1.75lb (0.79kg)
Warranty Coverage	
Warranty Period	5 Years

NOTES:

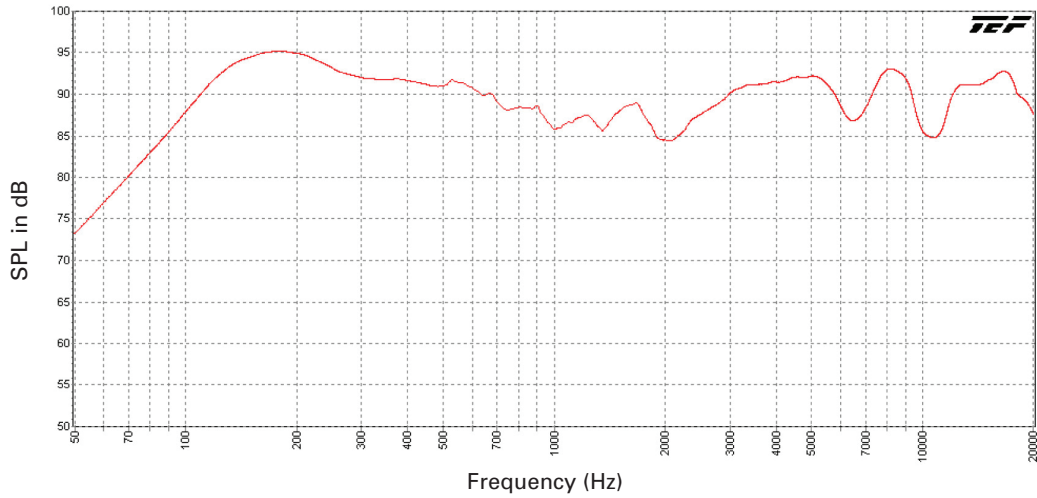
*Measured in FA97-4 Enclosure

Model	Includes Transformer			Mounts Enclosure	Mounts Grille		Optional Accessories
	Model	Volts	Primary Taps		Model	Size	
FA134T87-LP-DIN	HT-87	70.7	1, 2, 4, & 8 Watts	96-4 and 96-4X w/ appropriate baffle, FA97-4 (NK*), FA95-4 *without knockouts	FA51-4	7.875" Round	FA81-4 (Tile Bridge) FAPR-4 (Plaster Ring) FA-TR4 (Trim Ring)
					FA170-4	9.75" Square	
					FA720-4	7.875" Round	
					FA730-4	7.875" Round	

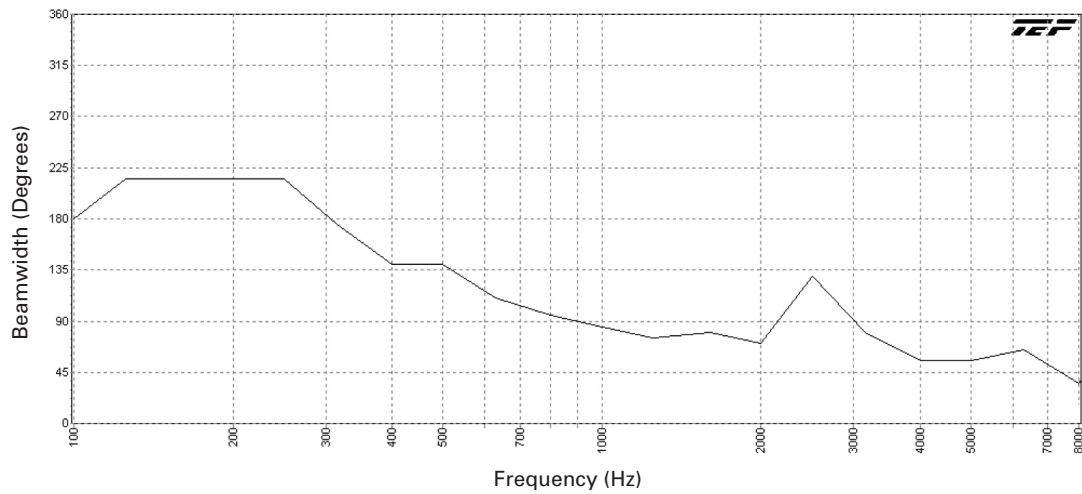
Polars Are Normalized To Zero On Axis (-6dB)



Frequency Response

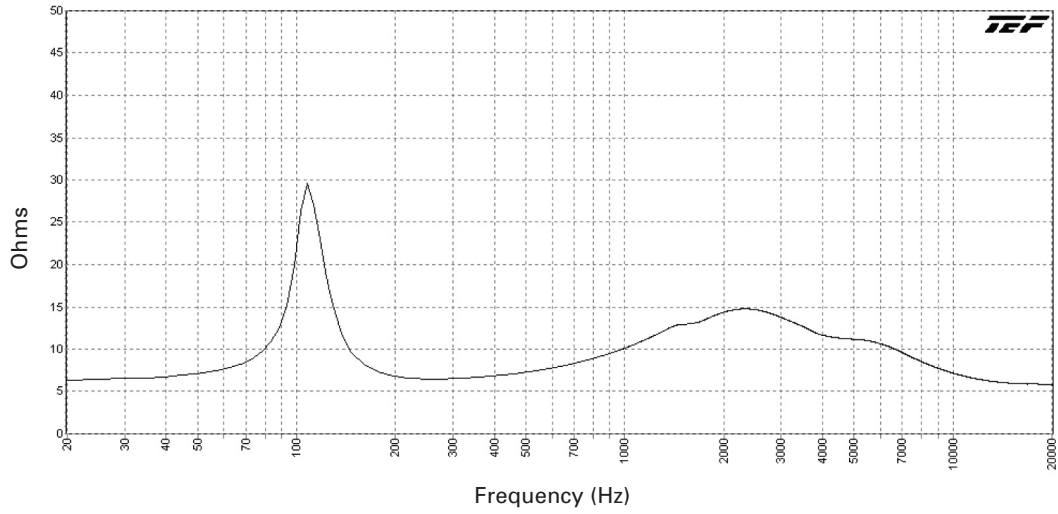


Beamwidth (-6dB)

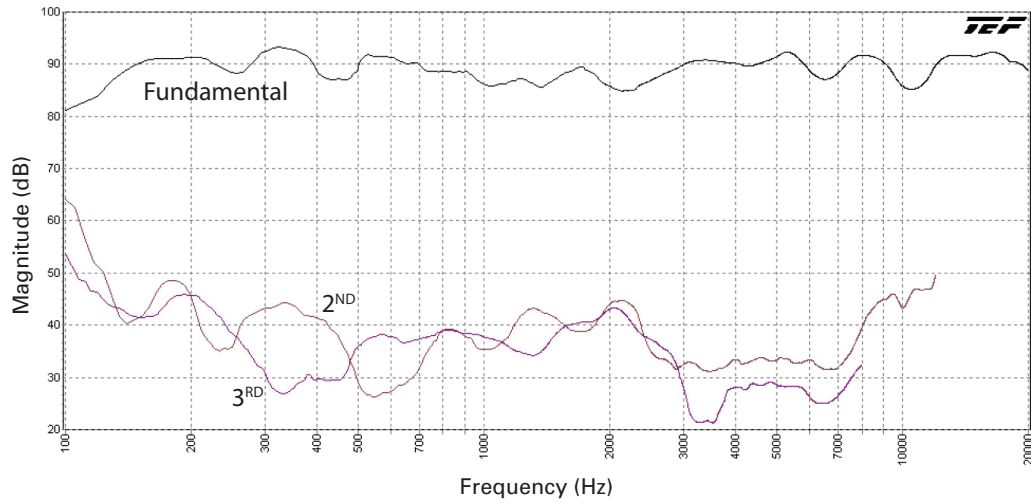


©2020 Atlas Sound L.P. The Atlas "Circle A", Soundolier, and Atlas Sound are trademarks of Atlas Sound L.P. IED is a Registered Trademark of Innovative Electronic Designs LLC. All rights reserved. All other Trademarks are property of their respective owners. No endorsement is implied. Due to continual product development, specifications are subject to change without notice. ATSO06118 RevA 4/20

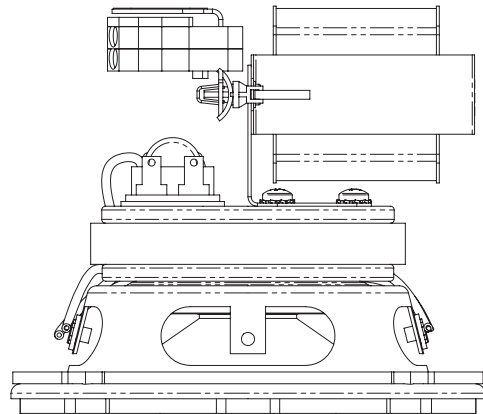
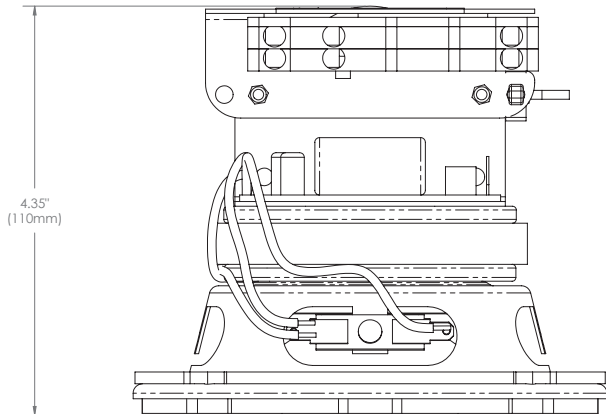
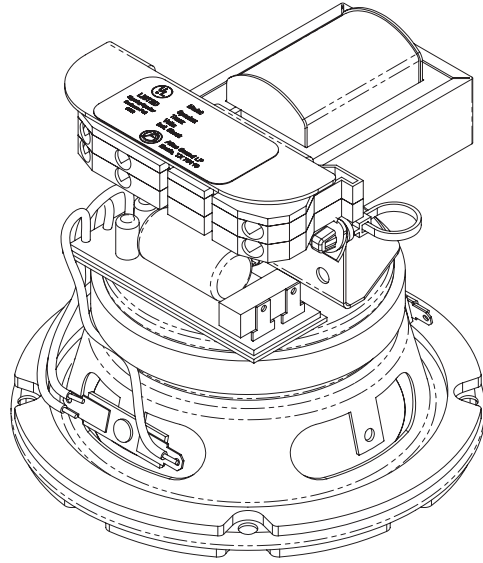
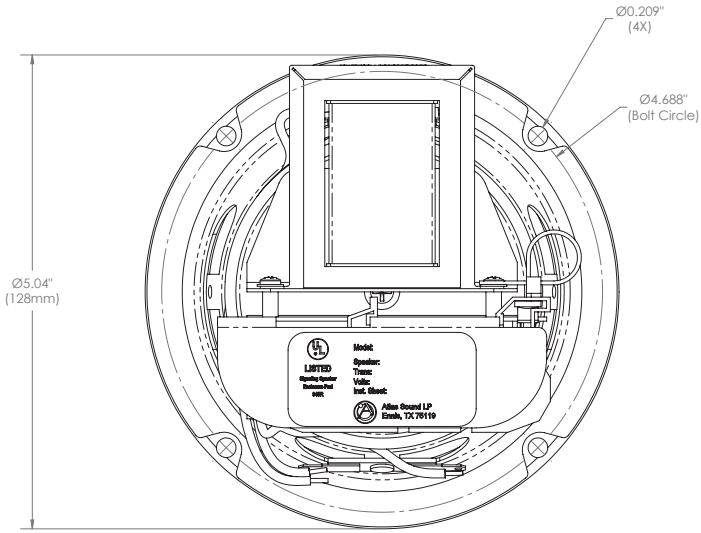
Impedance



Harmonic Distortion



Dimensional Drawings



Architect and Engineer Specifications

Loudspeaker system shall be AtlasIED Strategy Series™. System shall be UL listed and include a coaxial, 4" loudspeaker Model FA134T87-LP-DIN, matched enclosure Model _____ (FA97-4, FA97-4NK) and flush grille Model _____ (FA51-4, FA170-4, FA720-4, FA730-4). Strategy Series loudspeaker, enclosures and grilles shall be listed by Underwriters Laboratories (UL 1480 General Signaling) to U.S. and Canadian safety standards.

Nominal frequency response of the system shall be 110Hz – 20kHz and the sensitivity shall be 92dB (peak) measured at 1W/1M across the full bandwidth. Power rating shall be 25 Watts. Unit shall be comprised of 4" diameter low frequency driver and a 0.5" high frequency driver. Magnet shall be a 10oz and the voice coil diameter shall be 1" (25mm). Dispersion shall be 130° measured in the enclosure at -6dB, 2kHz octave band. Transformer-equipped models shall include factory wired 70.7V volt transformer with primary taps of 1, 2, 4, & 8 Watts.

Loudspeaker shall front-load to specified enclosure or Model FAPR-4 plaster rings. Strategy Series® enclosures shall use clamping dog legs for ceiling mounting and stud receivers for wall mounting. The FA97 enclosure models shall be lined with high density acoustic batting.