

# AFR Series Atlas Furniture Racks

## Install Sheet

### Product Features

- Slim profile optimized for mounting in cabinets
- Includes four lacer bars.

### Available Options

- AFR16RK: Runner kit for 16" deep AFR
- AFR18RK: Runner kit for 18" deep AFR
- 8RU – 16RU 16" deep
- 8RU – 16RU 18" deep

**CAUTION:** Place heavier components at the bottom of the enclosure to ensure rack stability. When more than one component is placed in the enclosure, begin at the bottom of the enclosure and place equipment at the lowest available point, evenly distribute weight (horizontally) within the enclosure.

Component weight should be distributed as follows:

- $\frac{1}{2}$  of the total component weight (at a minimum) placed in the bottom third of the cabinet
- $\frac{1}{4}$  of the total component weight (at a maximum) placed in the middle third of the cabinet
- $\frac{1}{4}$  of the total component weight (at a maximum) placed in the top third of the cabinet

**CAUTION:** All installation and assembly steps must be performed by qualified personnel.

**CAUTION:** Ensure that the floor has a structural load capacity that will support the weight of the cabinet fully loaded with equipment.

**CAUTION:** Some parts of the enclosure system, such as the lacer bars, may not be effectively bonded to the Protective Earth Terminal (PET). If these parts need to be bonded to the PET it should be done in accordance with Article 250 of the National Electrical Code.

**CAUTION:** Power cord(s), for fans or other accessories, need to be secured to ensure that they are routed away from pinch points and moving parts.

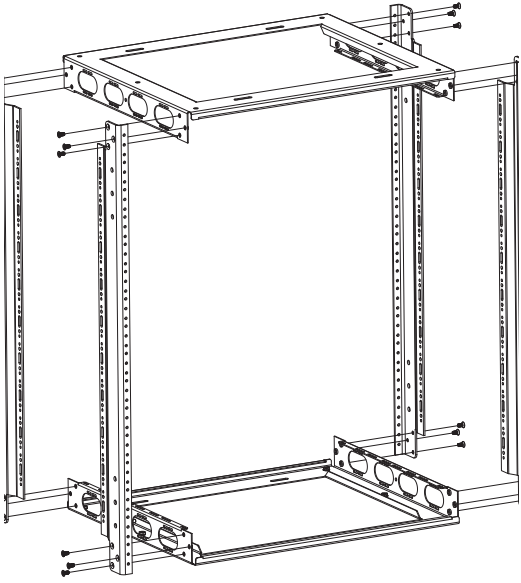
**CAUTION:** Do not attempt to unload or move the enclosures alone. Make sure to have sufficient amount of personnel and equipment to safely move this product.

# AFR Series Atlas Furniture Racks

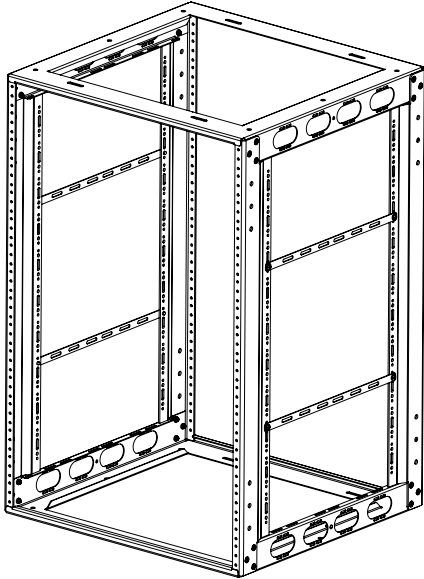
## Install Sheet

Install Rails to top and bottom through the holes shown using the supplied hardware.

Install the screws and nuts as shown. The top and bottom of the AFR Enclosure are interchangeable.



Install the lacing bars to the rack rail holes at selected height using the supplied hardware.



Install the runners (optional accessory AFR16RK or AFR181RK) to the enclosure bottom through the holes shown using the supplied hardware.

