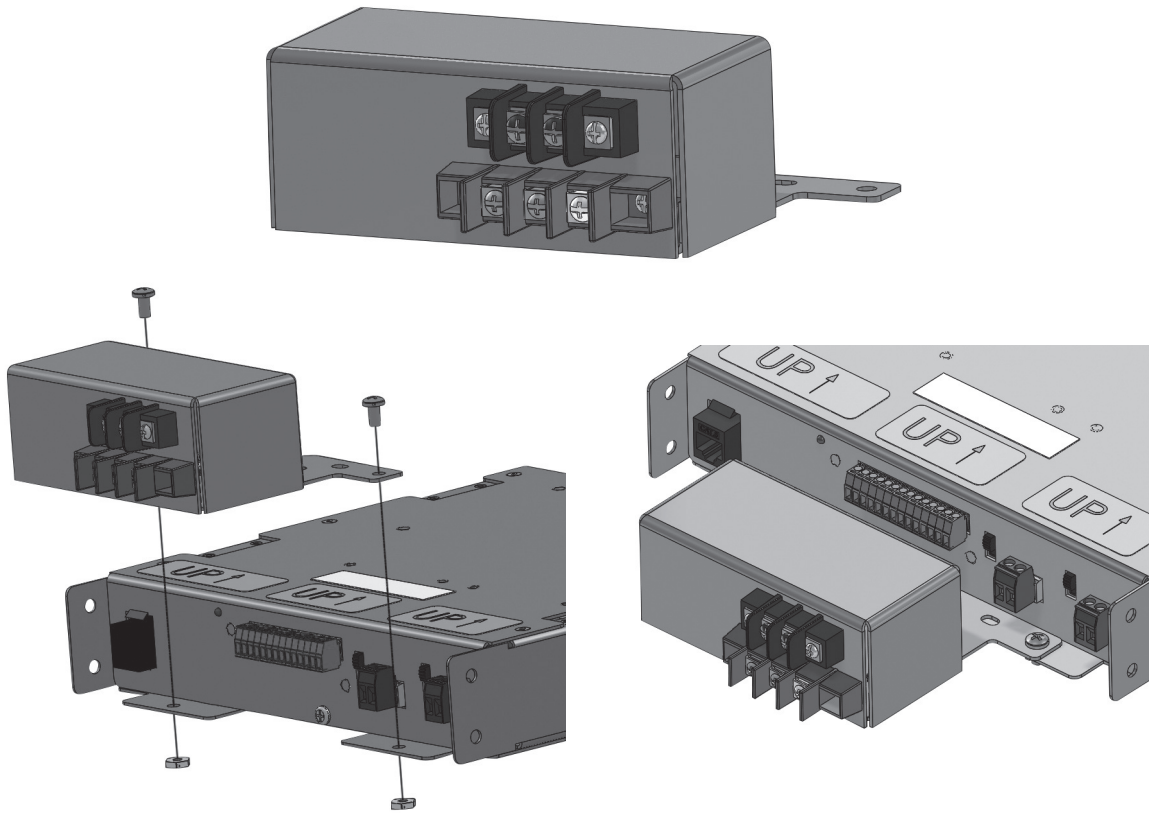


ZCMT

Transformer for ZCM IP-to-Analog Gateway

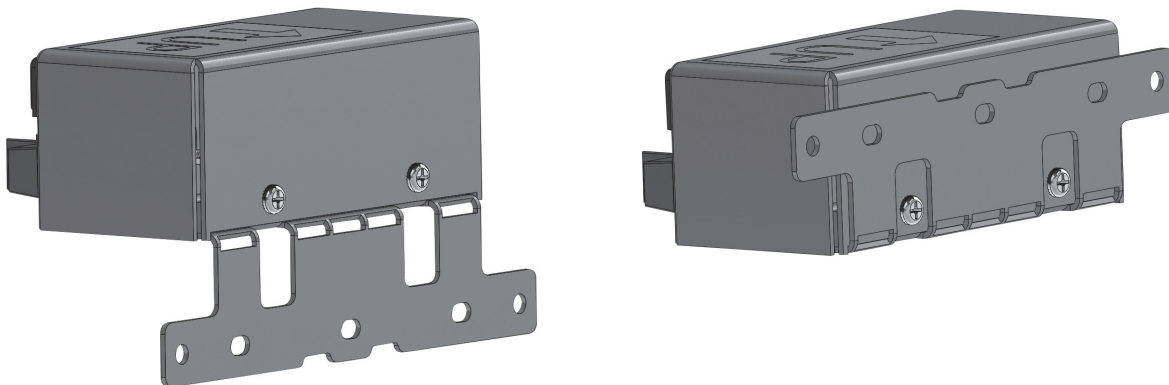


The ZCMT can be attached directly to the rear of the ZCM-V2+. Nuts and bolts included.

The ZCMT can also be attached as is to a flat surface or the rear flange can be broken up or down for additional attachment possibilities.

Using the included black and white wires, connect the audio input connections of the ZCMT to the primary/secondary connections located at the rear of the ZCM-V2+.

It is best to install the ZCMT last. If access to the rear of the ZCM-V2+ is needed once the ZCMT has been installed, simply remove one connecting nut and screw to allow the ZCMT to swing out.



©2017 Atlas Sound L.P. The Atlas "Circle A", Soundolier, and Atlas Sound are trademarks of Atlas Sound L.P. IED is a registered trademark of Innovative Electronic Designs LLC. All Rights Reserved. All other trademarks are the property of their respective owners. All specs are subject to change without notice. ATS005669 RevA 12/17 P/N 492136