

ALA 10T

Installation Instructions

Safety Instructions

Please read carefully before installing or operating.

- Read all instructions carefully
- Heed all warnings
- Assure that the speaker is securely mounted
- Always assure amplifier power is off before making any connections
- Keep instructions for future reference
- Should any questions arise after reading this document, please call Atlas Sound Tech Support at 800-876-3333

Hearing Damage

CAUTION: All professional loudspeaker systems are capable of generating very high sound pressure levels. Use care with placement and operation to avoid exposure to excessive levels that can cause permanent hearing damage.

Suspension and Mounting

Installing speaker systems requires training and expertise. Improper speaker installation may result in injury, death, equipment damage, and legal liability. Installation must be carried out by fully qualified installers, in accordance with all required safety codes and standards at the place of installation.

Legal requirements for overhead installation vary by municipality, please consult the Building Inspector office before installing any product and thoroughly check any laws and bylaws prior to installation. Installers that lack the skills, training, and proper ancillary equipment to install a speaker system should not attempt to do so.

Installation

1. Run the wiring from the power amplifier to the location desired for mounting the ALA Series speaker.
2. Attach the lower wall bracket to the wall. Use a level to be certain that the wall bracket is straight. Secure the wall bracket to the wall. Be sure to use the appropriate wall anchors when attaching the bracket. Use all four screw holes for maximum integrity and safety.

Note: Hardware for attaching the wall bracket to the wall is not included.

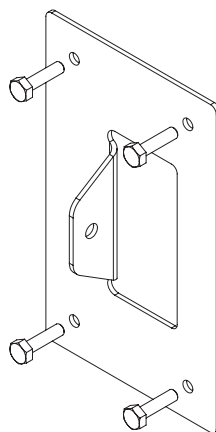


Fig. 1

3. Attach the upper wall bracket as required.
 - A. The location of the upper wall bracket will vary according to the angle that the speaker will be used.
 - B. If the speaker will be parallel to the wall, the upper wall bracket can be located 18" to 29 3/4" center to center. Two short speaker brackets will be used; one on the top and one on the bottom.
 - C. For an angled installation, please refer to the table below to determine the center to center distance for the wall brackets.

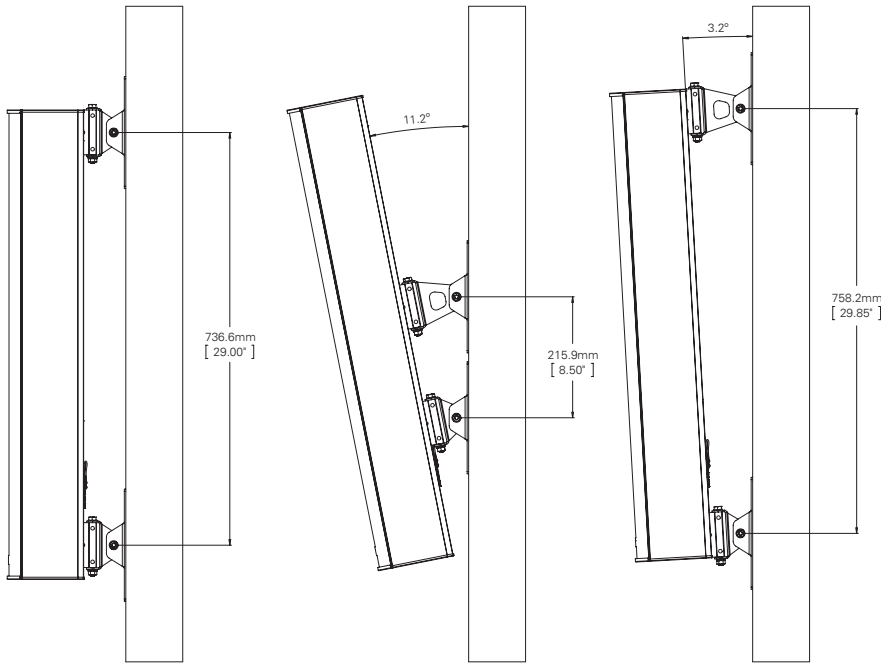


Fig. 2

ALA10T	
ANGLE	C-C IN
11.2°	8.5"
10.6°	9"
10°	9.5"
9.5°	10"
9.1°	10.5"
8.6°	11"
8.3°	11.5"
7.9°	12"
7.6°	12.5"
7.3°	13"
7°	13.5"
6.8°	14"
6.5°	14.5"
6.3°	15"
6.1°	15.5"
5.9°	16"
5.8°	16.5"
5.6°	17"
5.4°	17.5"
5.3°	18"
5.1°	18.5"
5°	19"
4.86°	19.5"
4.74°	20"
4.63°	20.5"
4.52°	21"
4.41°	21.5"
4.31°	22"
4.21°	22.5"
4.12°	23"
4.03°	23.5"
3.95°	24"
3.87°	24.5"
3.79°	25"
3.72°	25.5"
3.65°	26"
3.58°	26.5"
3.51°	27"
3.45°	27.5"
3.39°	28"
3.33°	28.5"
3.27°	29"
3.21°	29.5"
3.19°	29.75"

©2015 Atlas Sound L.P. and Innovative Electronic Designs, LLC. All Rights Reserved. Atlas Sound is a trademark of Atlas Sound L.P. IED is a registered trademark of Innovative Electronic Designs, LLC. All other trademarks are the property of their respective owners. All specs are subject to change without notice. ATS005347 RevA 12/15

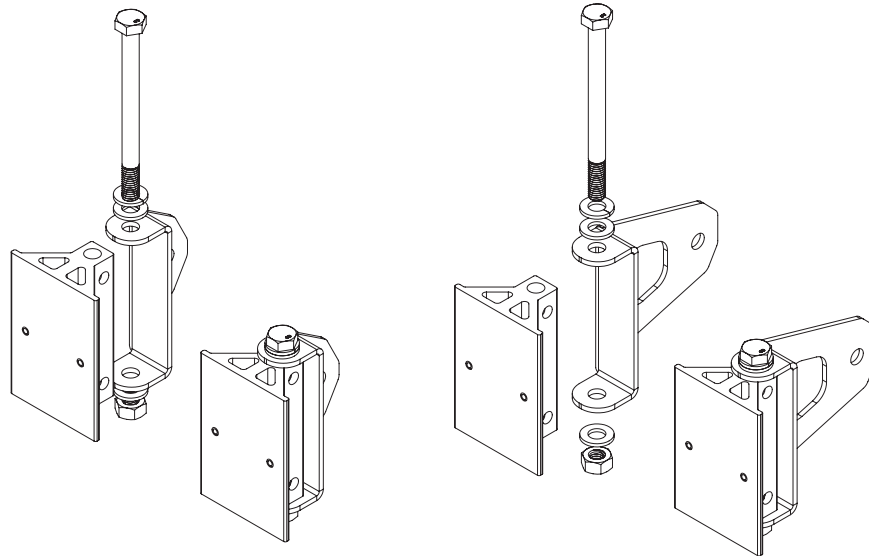


Fig. 3a and 3b (Sliding Mount Block shown not attached to speaker for clarity)

4. Attach the short speaker bracket to the wall bracket.
 - A. Position the short speaker bracket over the lower sliding mount block as shown in Fig. 3a.
 - B. Insert the 100mm M8 bolt through the short speaker bracket and the lower sliding mount block. Be sure to include the plain washers and one lock washer as shown.

Note: For angled installation, skip step 4C and proceed to step 4D.
 - C. If the speaker will be parallel to the wall, repeat steps 4A and 4B for the upper sliding mount block.
 - D. Position the medium speaker bracket over the upper sliding mount block as shown in Fig. 3b.
 - E. Insert the 100mm M8 bolt through the speaker bracket and the sliding mount block. Be sure to include the plain washers and one lock washer as shown.

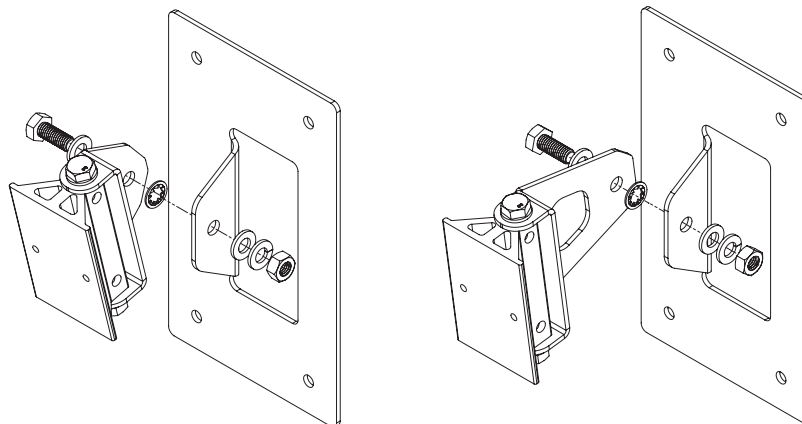


Fig. 4a and 4b (Sliding Mount Block shown not attached to speaker for clarity)

5. Attach the speaker bracket to the wall bracket.
 - A. Insert the 20mm M8 bolt through the short speaker bracket, internal tooth lock washer, and the wall bracket as shown in Fig. 4a. Be sure to include the plain washers and one split ring lock washer as shown.
 - B. Insert the 20mm M8 bolt through the medium speaker bracket and the upper wall bracket as shown in Fig.4b. Be sure to include the plain washers and one split ring lock washer as shown.
 - C. Adjust horizontal position of the speaker and torque all bolts sufficiently to hold position.

6. Establish electrical connection. All models include a built-in, high efficiency 60 Watt 70.7V transformer with 7.5, 15, 30, and 60 Watt taps as shown in Fig. 5.

Note: A removable jumper and additional pole on the terminal block is included for transformer operation. The jumper must be removed for low impedance (8Ω or 6Ω) direct coupled operation.

Connections are provided on the terminal for both transformer and low impedance connection. An NL4 Speakon® connector is included for low impedance (8Ω or 6Ω) direct coupled operation.

Note: When using the Speakon® input connection, the jumper must be removed from the barrier terminal.

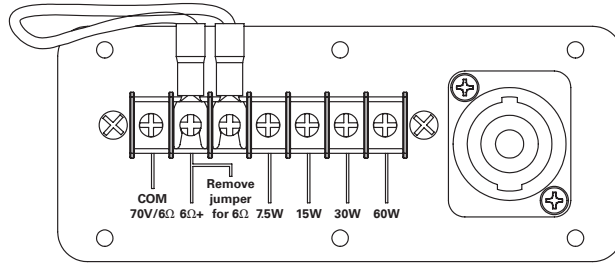


Fig. 5

©2015 Atlas Sound L.P. and Innovative Electronic Designs, LLC. All Rights Reserved. Atlas Sound is a trademark of Atlas Sound L.P. IED is a registered trademark of Innovative Electronic Designs, LLC. All other trademarks are the property of their respective owners. All specs are subject to change without notice. ATS005347 RevA 12/15

©2015 Atlas Sound L.P. and Innovative Electronic Designs, LLC. All Rights Reserved. Atlas Sound is a trademark of Atlas Sound L.P. IED is a registered trademark of Innovative Electronic Designs, LLC. All other trademarks are the property of their respective owners. All specs are subject to change without notice. ATS005347 RevA 12/15



1-800-876-3333 • support@atlasied.com • AtlasIED.com