

# WMA Series Racks

## Half Width Rack Wall Mount Cabinets



### Features

- Wall Mount
- Designed Specifically to Accommodate Half Width Rack Components
- 16 Gauge CRS Construction
- Finished in Black Electrostatic Powder Coat
- Adaptor Available for Vertical Mounting of Full Width Rack Components

### Applications

AtlasIED WMA half width wall mount racks are a unique solution that offer integrators a solution for challenging installation scenarios. The unique swing down design makes these racks ideal for small equipment closets or as space saving options in offices, retail stores, industrial complexes, education facilities, and any installation where space is a premium.

### General Description

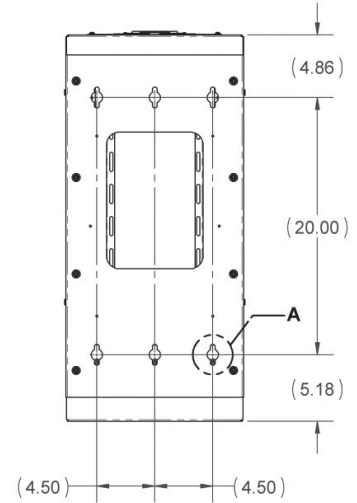
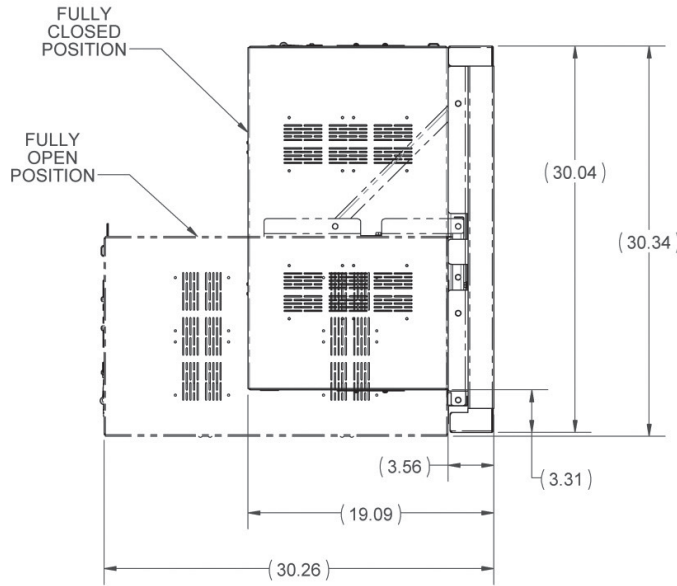
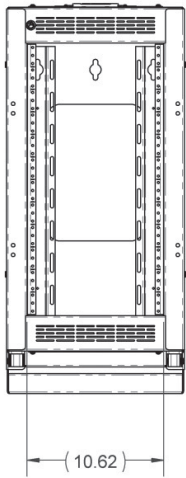
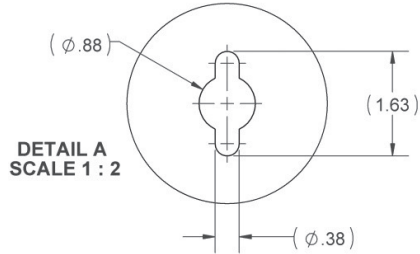
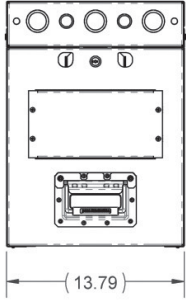
The AtlasIED WMA12-19-HR and WMA16-19-HR are wall mounted racks designed to accommodate mounting of half width rack components or vertical mounting of 19" width components. Additionally, these models feature a unique, patent pending swing down design that enables an integrator or contractor to access the back of the rack for easy connection and wire management of installed components. Models include front, adjustable 12-gauge CRS rack rails tapped at 10-32 and are equipped with provisions for wire management, equipment mounting, and structural support. Top and bottom removable 3RU panels are located in the center section of the cabinet for the optional EFP3-HR fan panel for further ventilation. Perforated vents, located on both sides (top and bottom) of the center section, provide ventilation for rack-mounted electronics. Each model is constructed in our Ennis, TX facility using durable 16-gauge CRS that is finished in a black electrostatic powder coat.

<b>WMA12-19-HR</b>	
Panel Space	12RU, 21" (533mm)
Usable Depth	15.50" (394mm)
Total Depth	19.09" (485mm)
Rack Dimensions (HxW)	26.70" x 13.79" (678mm x 350mm)
Back Box Dimensions (HxW)	29.60" x 13.79" (752mm x 350mm)
<b>WMA16-19-HR</b>	
Panel Space	16RU, 28" (711mm)
Usable Depth	15.50" (394mm)
Total Depth	19.09" (485mm)
Rack Dimensions (HxW)	33.70" x 13.79" (856mm x 350mm)
Back Box Dimensions (HxW)	36.60" x 13.79" (930mm x 350mm)
<b>Optional Accessories</b>	
Blank Panels	CB1-HR / CB2-HR / CB3-HR
Solid Flanged Panels	SPR1-HR / SPR2-HR / SPR3-HR
Perforated Panels	PPR1-HR / PPR2-HR
Fan Panel	EFP3-HR
Vented Shelf	SH1-10-HR
Micro-Perf Front Doors	MPFD12-HR / MPFD16-HR
<b>HR Rack Mount Kits</b>	
ATPLATE-HR	Half Rack Attenuator Mounting Panel
AARMK-HR	Half Rack Ears for AA Amps
BB-PLT-PNL	Rack Mount Plate for 2-Gang Wall Controllers (3)
BB-PLT-PNL-HR	Half Rack Mount Plate for 2-Gang Wall Controller (1)
TSD-HRMK	Half Rack Mount Plate for TSDs
VRMK-HR	Half Rack Adapter for Vertically Mounting Standard 19" Components

The above specifications may be updated in the future without prior notice. All hardware / software / physical features should be based on the final shipped products.

# Dimensional Drawings

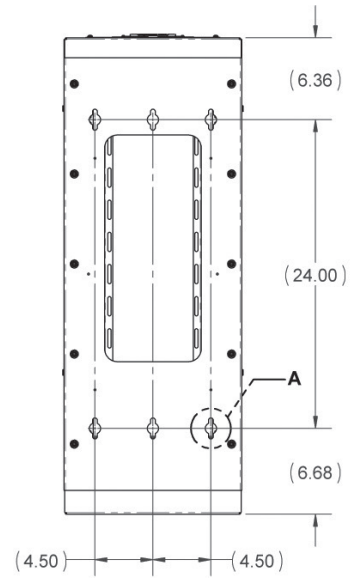
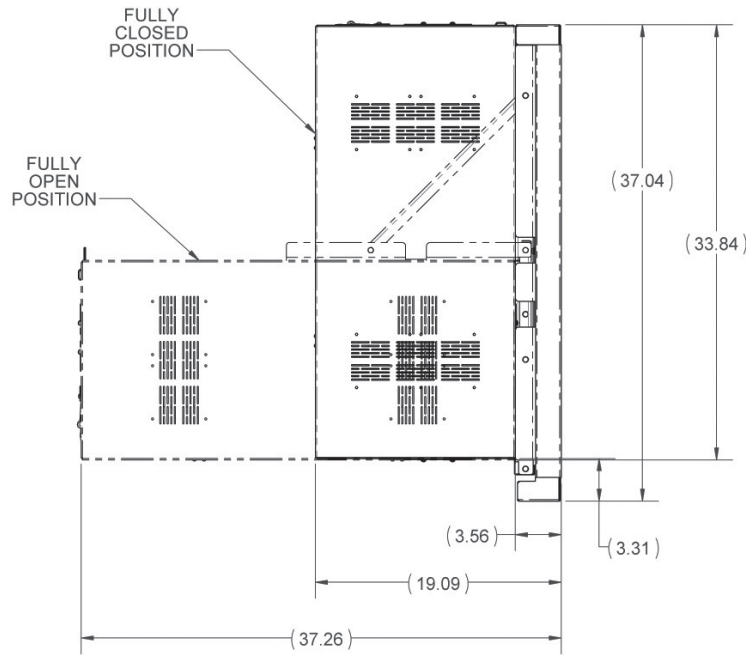
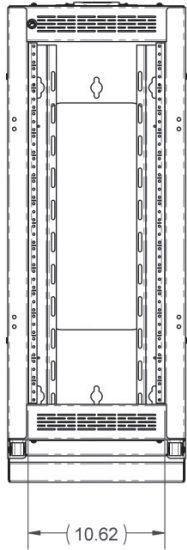
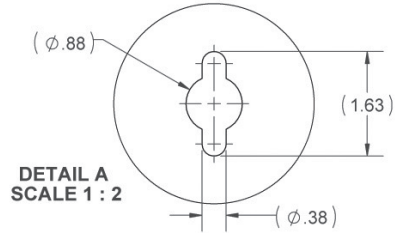
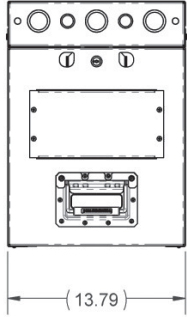
WMA12-19-HR



©2023 Atlas Sound L.P. The Atlas "Circle-A", Soundolier, and Atlas Sound are trademarks of Atlas Sound L.P. IED is a Registered Trademark of Innovative Electronic Designs LLC. All rights reserved. All other Trademarks are property of their respective owners. No endorsement is implied. Due to continual product development, specifications are subject to change without notice. ATSO04882 RevC 8/22

## Dimensional Drawings

WMA16-19-HR



©2023 Atlas Sound L.P. The Atlas "Circle-A", Soundolier, and Atlas Sound are trademarks of Atlas Sound L.P. IED is a Registered Trademark of Innovative Electronic Designs LLC. All rights reserved. All other Trademarks are property of their respective owners. No endorsement is implied. Due to continual product development, specifications are subject to change without notice. ATSO04882 RevC 8/22

## Architect & Engineer Specifications

The sectional wall mounting cabinet shall be AtlasIED Model WMA12-19-HR or WMA16-19-HR. It shall be constructed of 16-gauge CRS with 14-gauge CRS support arms finished in a black electrostatic powder coat. Cabinet shall offer space saving flip down rear access that allows reduced side-to-side proximity to other cabinets / furniture. Cabinet shall have a heavy duty recessed handle for access operations. The support arms shall be designed to mechanically reduce the equipment load experienced by the user. Cabinet shall have mirror imaging hinge points for mounting an optional front door. Center section shall be secured with a cylinder lock located on the top of the rear section. The center section shall be equipped with 12-gauge CRS adjustable, front-to-rear mounting rails tapped with 10-32 holes with black finish. Left and right rails shall be conveniently marked with RU number elevations. One hundred black 10-32 machine screws shall be provided for mounting rack components.

The lockable rear section shall have seven conduit knockouts on the top of the rear section and seven on the bottom of the rear section. These seven features shall consist of two 1/2" (13mm) actual-size, three 1" (25mm) / 1 1/4" (32mm) conduit-size concentric and two 1/2" (13mm) / 3/4" (19mm) conduit-size concentric knockouts. Cabinet shall have slotted hat channel rail supports for mounting rail adjustment and wire management purposes. Ventilation perforations shall exist on the sides, top and bottom panels. There shall be 36.90in<sup>2</sup> of passive open ventilation. In addition, the cabinet shall provide 4 sets of mounting points for industry standard 119mm fans for forcing active ventilation.

An optional metal perforated MPFD12-HR or MPFD16-HR locking front door may be provided. An optional adapter kit VRK-HR may be provided to mount five 19" full-width rack components vertically within twelve half-rack spaces. The rack shall come with removable 3RU panels on the top and bottom of the center section. Optional EFP3-HR fan panels may be provided to offer additional active ventilation. Additional RR12 or RR16 rail pairs may be provided.

The WMA12-19-HR shall have the dimensions, 30.0" (762mm) tall, 13.8" (351mm) wide and 19.1" (485mm) deep. It shall provide 12 rack units of component space. The WMA16-19-HR shall have the dimensions, 37.0" (940mm) tall, 13.8" (351mm) wide and 19.1" (485mm) deep. It shall provide 16 rack units of component space. In each case, the center section is 15.5" (394mm) deep. The cabinet shall have a 250lbs. load capacity. All cabinetry and accessories shall be manufactured by an ISO9001 registered company and shall be warranted to be free from defects in material or workmanship under normal use and conditions for 5 years.