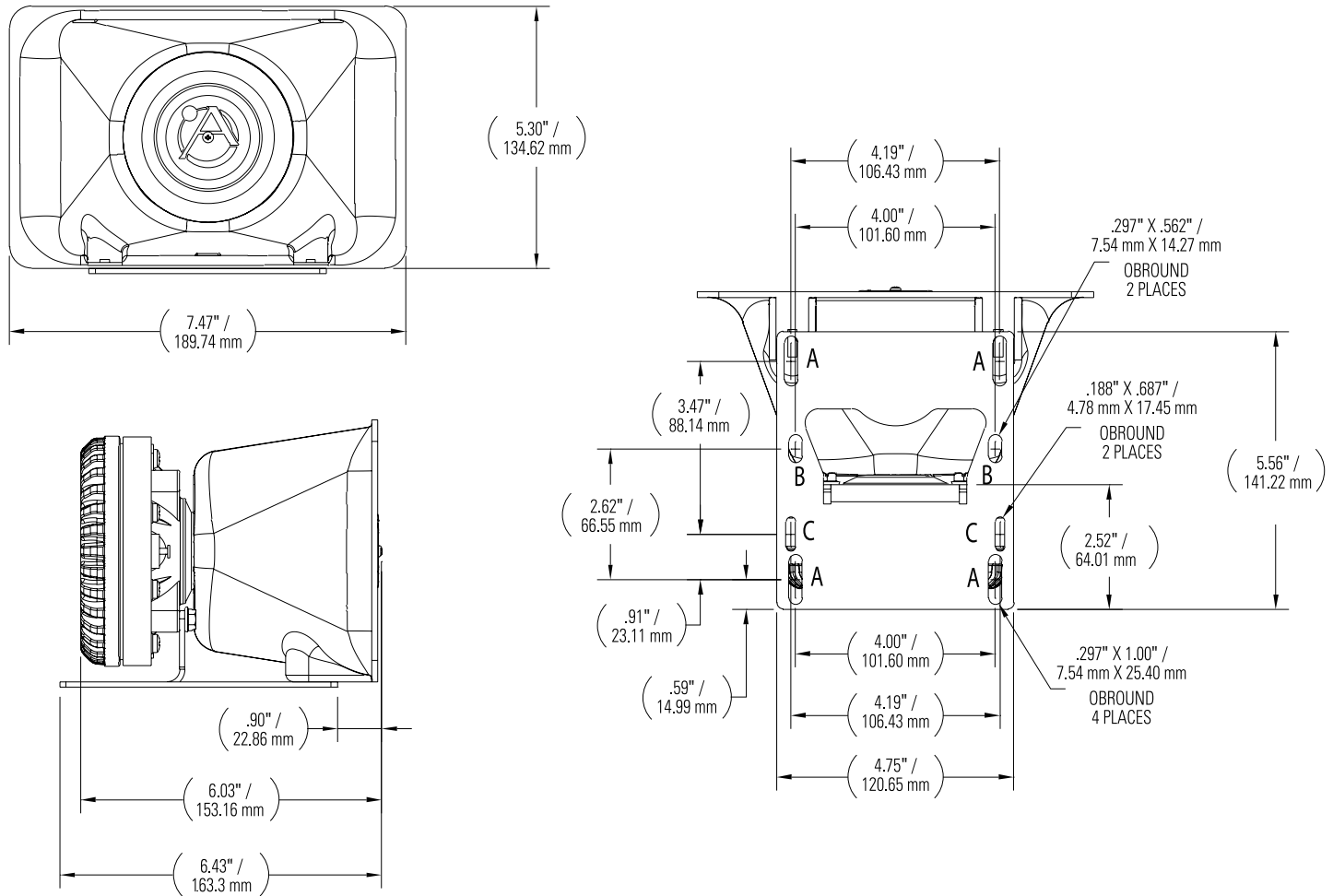


HPG-100N

Siren Loudspeaker

The HPG-100N Siren Loudspeaker is utilized for high-powered transmission of electronic siren and voice communications in vehicular applications. It is suitable for installation within light bars, engine compartments, or for mounting in front of the radiator or on the bumper of any ambulance, law enforcement, fire, utility, or other public service vehicle. It is rated at 100 watts RMS in electronic siren use and will provide a sound level output of 120 dB (measured on appropriate electronic siren). It is furnished with a one piece, steel mounting bracket and has a field-replaceable driver-head assembly. Field terminations are via 20" (508 mm) 18-gauge, color-coded wire leads. Lead color is RED and BLACK. The RED lead is connected to the #2 positive driver terminal. (Replacement head assembly, Model K-100N, is available for field replacement of Model AS100N).



Model	Power Rating	Impedance	Freq. Response	Dispersion
HPG-100N	100 Watts RMS	11Ω Nominal	575Hz - 35kHz (±5dB Nominal)	80° x 105° 1kHz Octave Band

Note: The weep hole located in the front of the driver must be positioned at 6:00 when installed.

©2012 Atlas Sound L.P. All rights reserved. Atlas Sound is a trademark of Atlas Sound L.P. All other trademarks are the property of their respective owners. All specs are subject to change without notice. AT5004359 RevA 5/12