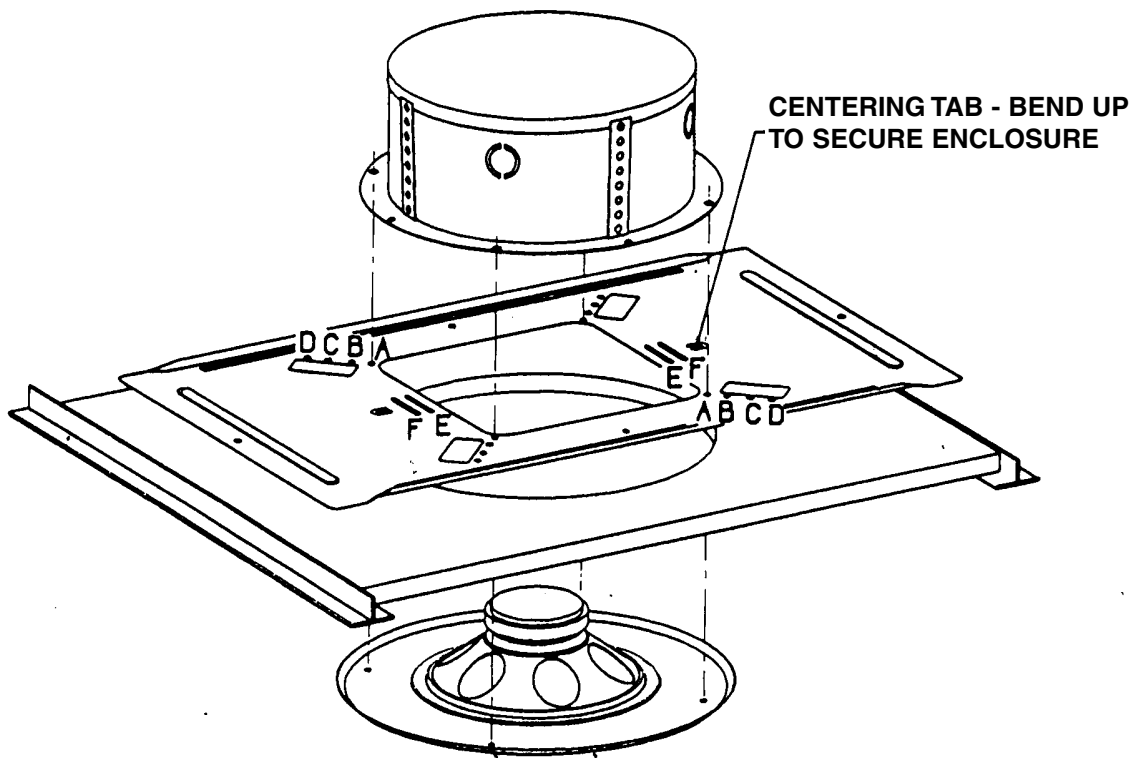


81-8S

T-Bar Bridge



Baffle Cross Reference

Standard Mount (Holes A Thru D)				Torsion Mount* (Slots E)
A 11.25 DIA B/C	B 12.56 DIA B/C	C 14.14 DIA B/C	D 15.58 DIA B/C	E 9" Apart
51-8 60-8 (W) 61-8 (W) 62-8 M222 (W) P900	169-8	161-8	164-8A	T51-8 T61-8 (W)

*** CAUTION: When Using The 81-8S With Torsion Mount Baffles, The Ceiling Title Must Be At Least 5/8" Thick. Lesser Thickness Will Require Field Adjustment.**

©2012 Atlas Sound L.P. All rights reserved. Atlas Sound is a trademark of Atlas Sound L.P. All other trademarks are the property of their respective owners. All specs are subject to change without notice. ATS004326 RevA 5/12