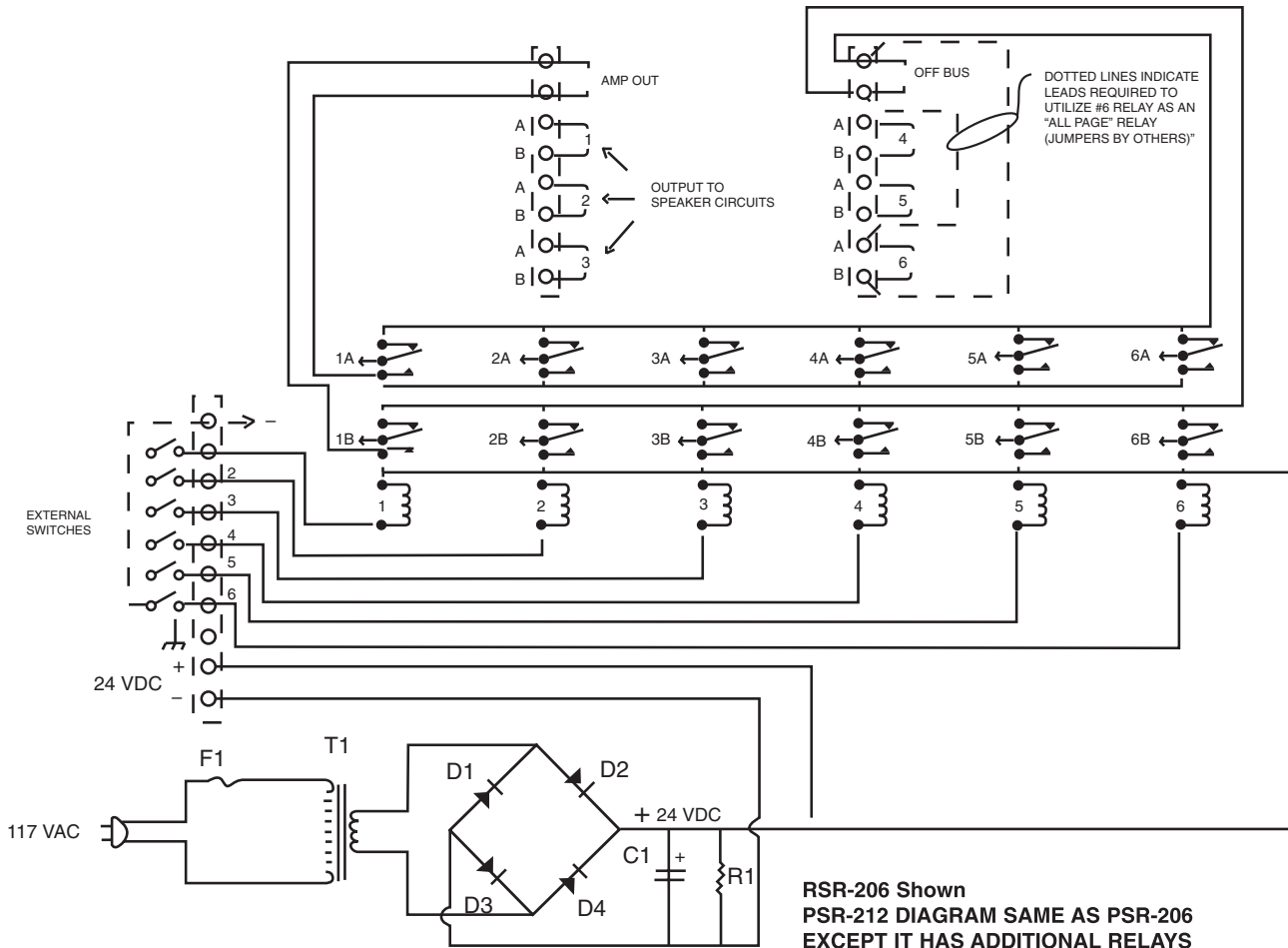




ZONE PAGE RELAY PACK



RSR-206 Shown  
PSR-212 DIAGRAM SAME AS PSR-206  
EXCEPT IT HAS ADDITIONAL RELAYS

ZONE PAGE POWERED RELAY PACK

1. Connect amplifier output to "amp out" terminals.
2. Connect speaker lines to numbered terminal pairs.
3. Connect SPST switches to "external switch" terminals.  
(The number 1 switch actuates number 1 relay circuit.)
4. For all page requirement, connect the "off bus" to number 6 speaker line terminals (See schematic). Actuation of this relay will then connect all speaker circuits to the amplifier output.

PSR-206 Parts List

REF	Description	P/N
T1	Power Trans	152412
C1	Cap. 470 mf. 50V	110159
R1	Resistor 1.5k 1W	110728
D1, D2	Diode 1 Amp	110981
	Relay	122696
F1	Fuse 1 Amp AGC-1	111368

PSR-212 Parts List

REF	Description	P/N
T1	Power Trans	109754
C1	Cap. 470 mf. 50V	110159
R1	Resistor 1.5k 1W	110728
D1, D2	Diode 1 Amp	110981
	Relay	122696
F1	Fuse 1 Amp AGC-1	111368

Specifications are subject to change without notice



Atlas Sound

www.AtlasSound.com

1601 JACK MCKAY BOULEVARD ENNIS, TEXAS 75119 U.S.A. • TELEPHONE: (800) 876-3333 • FAX: (800) 765-3435

© 2005 ATLAS SOUND LP

Printed in U.S.A.

01105

ATS002230 RevB 11/05

PN 116319