



Zone Page Powered Relay-Pak

PSR-206, PSR-212



PSR-206



PSR-212

Features

- Choice of Six (PSR-206) or Twelve (PSR-212) 24VDC DPDT Relay Models
- Easy Conversion For All-Page Applications
- Available in 12or 24 Watt Versions
- Capacity for Additional External Relays or Lights
- Pre-Mounted and Wired to Power Supply

Applications

The PSR Series PSR-206 and PSR-212 are zone-page, powered relay-pak units with an internal power supply. These relays are commonly used in communication applications where selective activation of speakers is needed. Models are designed to be used in conjunction with Atlas Sound's MPC Series (Modular Paging Communications Center) for zone paging in restaurants, reception areas, professional offices, health clubs, production, and customer service departments.

Relay-pak can be easily converted to accommodate "all page" applications, and have the capacity of adding external relays or lights.

General Description

The PSR-206 is a zone page, powered relay-pak with an internal power supply. The unit is completely wired and ready for mounting. The power supply is capable of delivering 500mA at 24VDC. A fuse is used for extra protection. The output of the power supply is terminated at the terminal strip as well as internally to the relay coils. This allows the use of excess power supply capacity for external relays.

Six 24VDC, DPDT relays are pre-mounted and wired to the power supply. The contacts are of silver, gold plated and the contact rating is 3 amps. The coil current is a nominal 35mA. The relays are wired and terminated as shown (see page 2). The terminals are easily identified by a silkscreened diagram. Any relay may be easily converted to an 'all page' relay by connecting the Off bus to the selected relay-switch output.

Note: Allows for 5 zones, plus "All Page", or 6 zones without "An All Page".

PSR-206 is completely enclosed in a compact 18-gauge CRS chassis finished in black epoxy. It features a 6' power cord.

PSR-212 has all the features of Model PSR-206 except it employs twelve relays instead of six. Note 11 zones plus an all page or 12 zones without all an page. The transformer is mounted on the surface with a protective shell.

Specifications

PSR-206

Input Power	117VAC 60 Cycles, 12 Watts
Output Power	24VDC, 500mA
Relays (Number)	6
Relay Type	24VDC, DPDT
Relay Coil Current	Nominal 35mA
Relay Contact Rating Terminal Strips	3Amps One Point, Screw Type Two 8 Point, Screw Type
Height	13/4" (336mm)
Width	43/8" (111mm)
Depth	21/4" (57mm)

PSR-212

Input Power	117VAC, 60 Cycles, 24 Watts
Output Power	24VDC, 1Amp
Relays (Number)	12
Relay Type	24VDC, DPDT
Relay Coil Current	Nominal 35mA
Relay Contact Rating Terminal Strips	3Amps One 10 Point, Screw Type Three 8 Point, Screw Type
Height	171/8" (435mm)
Width	43/8" (111mm)
Depth	21/4" (57mm)

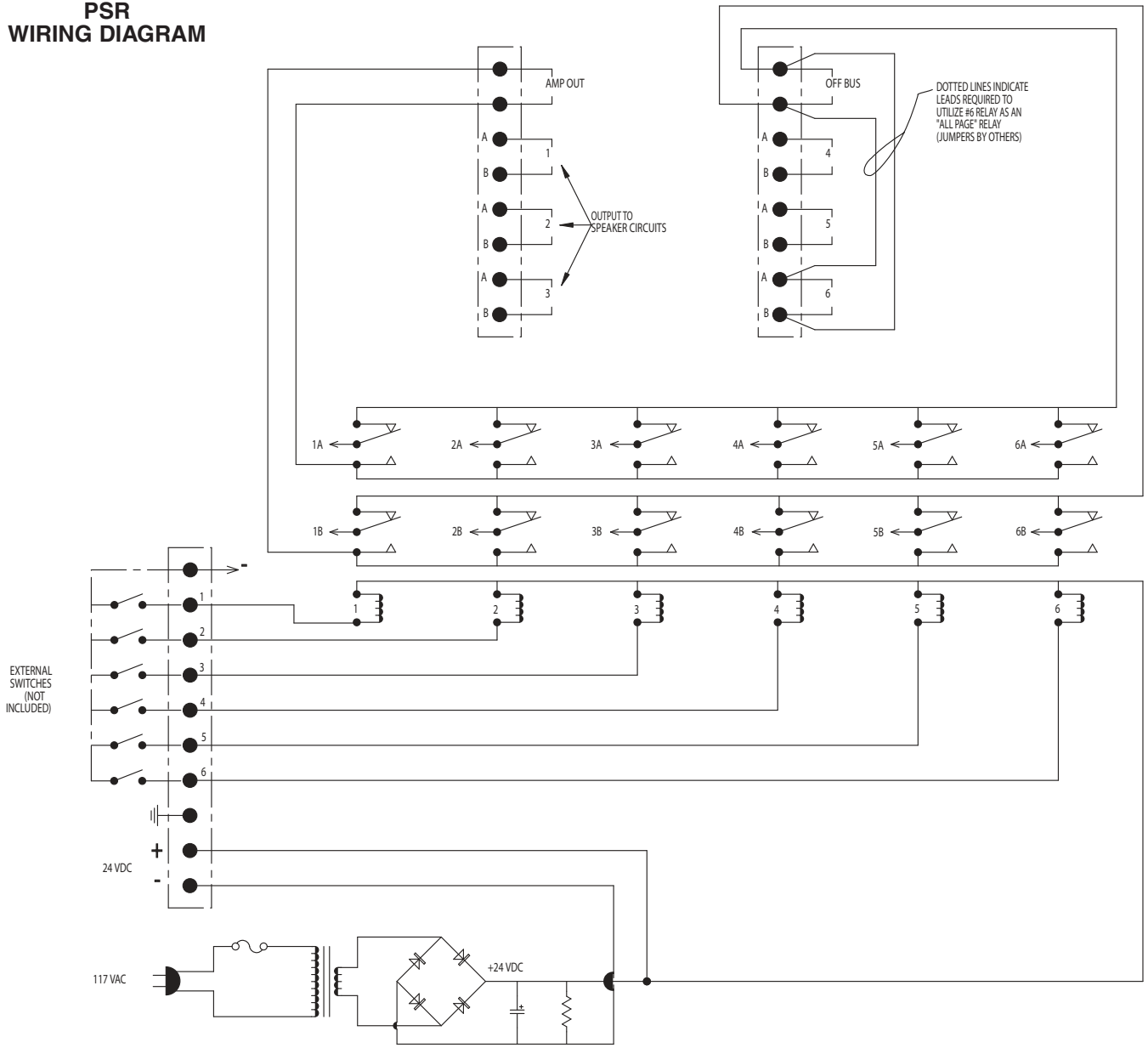
©2011 Atlas Sound L.P. All rights reserved. Atlas Sound and Strategy Series are trademarks of Atlas Sound L.P. All other trademarks are the property of their respective owners. AT5001376 RevD 6/11

Architect and Engineer Specifications

The zone page powered relay pak shall be Atlas Sound Model _____ (PSR-206, PSR-212) or approved equal. It shall include a power supply. Unit shall be wired and ready for mounting. The power supply shall be capable of delivering _____ (500mA at 24VDC, Model PSR-206; 1 amp at 24VDC, Model PSR-212). The relay pak shall utilize _____ 6 or 12 relays and shall have external provisions to wire one relay as an 'all page' application.

Each relay shall be a DPDT with a 24VDC power supply. The unit output shall be terminated at screw terminals for easy access. The chassis shall be constructed of 18-gauge CRS. Models shall include silkscreened terminal diagram and a 6 ft power cord.

PSR WIRING DIAGRAM



ZONE PAGE POWERED RELAY PAK

PSR-212 DIAGRAM SAME AS PSR-206 EXCEPT IT HAS ADDITIONAL X6 RELAYS