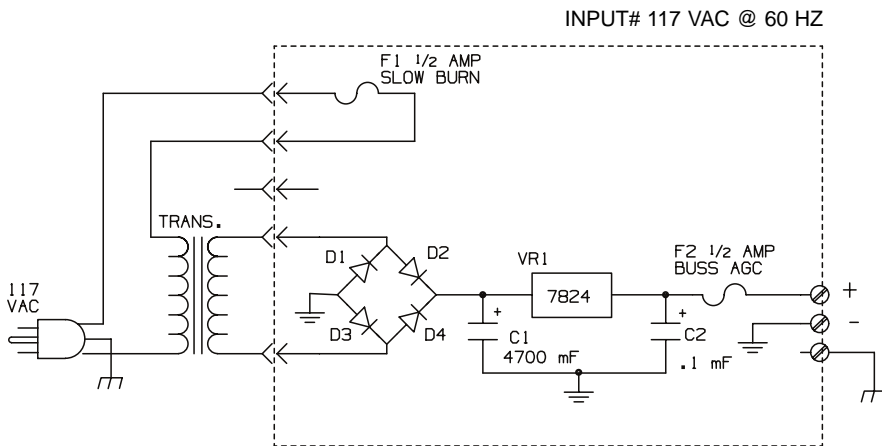




# RPS24-05 POWER SUPPLY

# INSTALLATION INSTRUCTIONS



PARTS LIST	
REFERENCE	DESCRIPTION
T1	POWER TRANSFORMER
F1, F2	FUSE 1/2 AMP SLOW BURN
D1-D4	DIODE 1A. 200 PIV
C1	CAPACITOR 4700 mF
C2	CAPACITOR .1 mF 100V
VR1	VOLTAGE REGULATOR 24V
-	P.C. BOARD BLANK

Specifications are subject to change without notice

## AtlasSound.com

1601 JACK MCKAY BOULEVARD ENNIS, TEXAS 75119 U.S.A. • TELEPHONE: (800) 876-3332 • FAX: (800) 765-3435

©2002 ATLAS SOUND LP

Printed in U.S.A.

00602

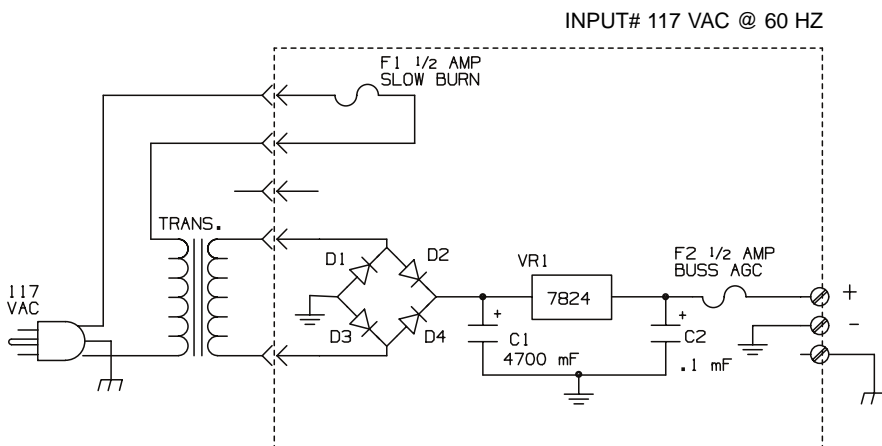
ATS001301 RevC 6/02

PN 214073



# RPS24-05 POWER SUPPLY

# INSTALLATION INSTRUCTIONS



PARTS LIST	
REFERENCE	DESCRIPTION
T1	POWER TRANSFORMER
F1, F2	FUSE 1/2 AMP SLOW BURN
D1-D4	DIODE 1A. 200 PIV
C1	CAPACITOR 4700 mF
C2	CAPACITOR .1 mF 100V
VR1	VOLTAGE REGULATOR 24V
-	P.C. BOARD BLANK

Specifications are subject to change without notice

## AtlasSound.com

1601 JACK MCKAY BOULEVARD ENNIS, TEXAS 75119 U.S.A. • TELEPHONE: (800) 876-3332 • FAX: (800) 765-3435

©2002 ATLAS SOUND LP

Printed in U.S.A.

00602

ATS001301 RevC 6/02

PN 214073