



**T720-8A**  
4" AND 8" TORSION MOUNT GRILLES

**INSTALLATION INSTRUCTIONS**

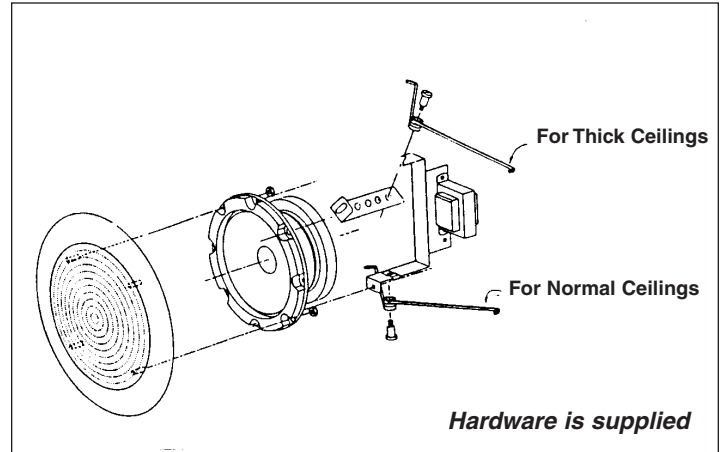
**FEATURES**

- For use in ceilings up to 2" thick
- Ideal for use in retrofit applications and adheres to fire code requirements
- Allows quick, efficient and economical Installation

**APPLICATION**

Utilize Atlas Sound torsion mount grilles in recessed ceiling applications when the hardware-free appearance of a torsion spring baffle is desired, yet the ceiling thickness is greater than that which a standard torsion spring grille can accommodate (up to 2" thick). This versatility enables use in retrofit applications or in areas with strict fire code requirements.

When used with 8" assemblies in thin ceiling ( $\frac{3}{4}$ " or less) applications, the bracket may need to be manually repositioned (or bent) to clear the enclosure's T-tab brackets.



**Note:** For proper support, torsion spring grilles should not be used with 8" loudspeaker assemblies exceeding 5 lbs.

Specifications are subject to change without notice



**AtlasSound.com**

1601 JACK MCKAY BOULEVARD ENNIS, TEXAS 75119 U.S.A. • TELEPHONE: (800) 876-3332 • FAX: (800) 765-3435

©2002 ATLAS SOUND LP

Printed in U.S.A.

00202

ATS001094 Rev C 2/02

PN 350120



**T720-8A**  
4" AND 8" TORSION MOUNT GRILLES

**INSTALLATION INSTRUCTIONS**

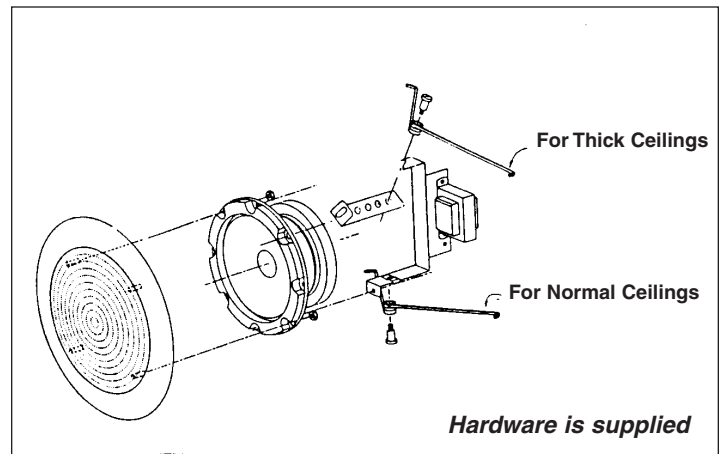
**FEATURES**

- For use in ceilings up to 2" thick
- Ideal for use in retrofit applications and adheres to fire code requirements
- Allows quick, efficient and economical Installation

**APPLICATION**

Utilize Atlas Sound torsion mount grilles in recessed ceiling applications when the hardware-free appearance of a torsion spring baffle is desired, yet the ceiling thickness is greater than that which a standard torsion spring grille can accommodate (up to 2" thick). This versatility enables use in retrofit applications or in areas with strict fire code requirements.

When used with 8" assemblies in thin ceiling ( $\frac{3}{4}$ " or less) applications, the bracket may need to be manually repositioned (or bent) to clear the enclosure's T-tab brackets.



**Note:** For proper support, torsion spring grilles should not be used with 8" loudspeaker assemblies exceeding 5 lbs.

Specifications are subject to change without notice



**AtlasSound.com**

1601 JACK MCKAY BOULEVARD ENNIS, TEXAS 75119 U.S.A. • TELEPHONE: (800) 876-3332 • FAX: (800) 765-3435

©2002 ATLAS SOUND LP

Printed in U.S.A.

00202

ATS001094 Rev C 2/02

PN 350120