

# AAGRMK2

## AAG Amp Rack Mount Kit

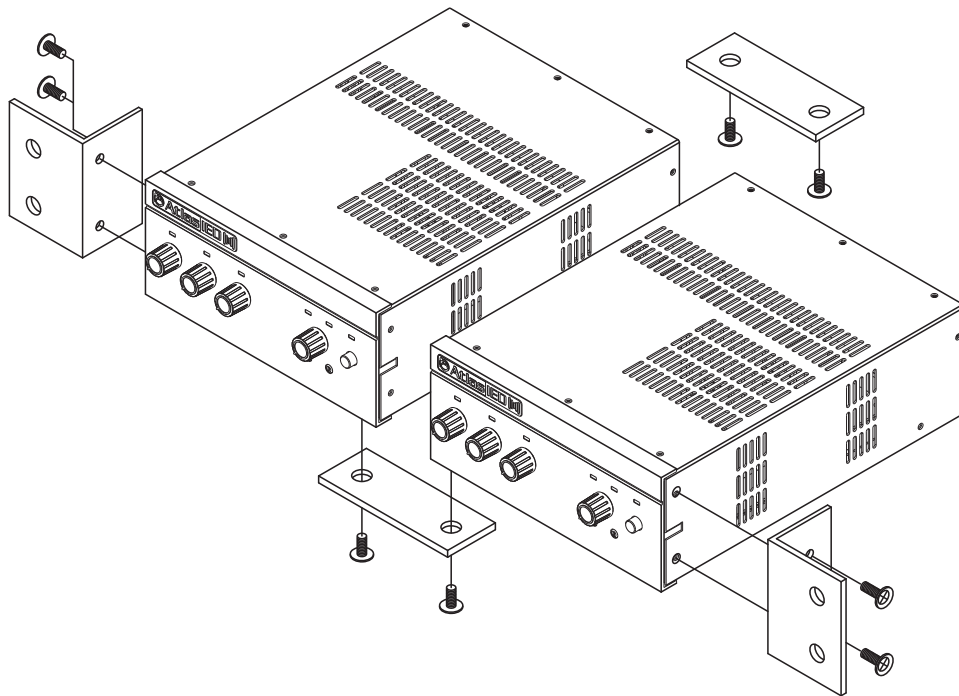
### Safety Instructions

Please read carefully before installing or operating.

- Read all instructions carefully
- Heed all warnings
- Always assure amplifier power is Off before making any connections, or mounting
- Ensure that all electrical equipment is properly grounded
- Keep instructions for future reference
- Should any questions arise after reading this document, please call AtlasIED Tech Support at 800-876-3333

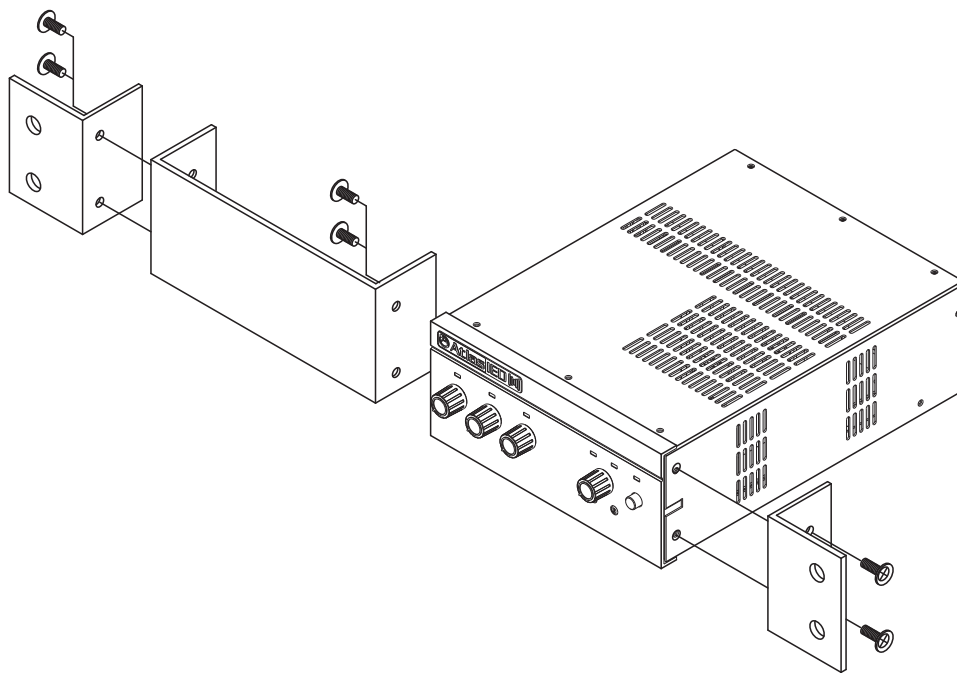
### Configuration 1 - Mounting two AA35G or AA60G Amplifiers, or one AA35G with one AA60G

1. Disconnect the amplifiers from the electrical source.
2. Remove the four feet from the bottom of each unit.
3. Remove the four side panel screws from the inside panels of each unit.
4. Align and secure the two joiner plates to the bottom of the units with the enclosed screws. **Note:** Both plates must be attached, one towards the front and one towards the back.
5. Remove the front two screws from the outside panels of each unit.
6. Align the enclosed rack ears to the chassis holes.
7. Use the enclosed chassis screws to attach the rack ears to the outside panels of each unit. Secure firmly, do not over tighten.
8. Install the amplifiers into the rack using rack rail screws and washers.
9. Disregard any additional pieces.



## Configuration 2 - Mounting one AA35G or AA60G Amplifier

1. Disconnect the amplifier from the electrical source.
2. Remove the four feet from the bottom of the unit.
3. Remove the front two screws from both sides of the unit.
4. Align and secure the chassis extension plate to a rack ear using the enclosed screws.
5. Align the rack ear and extension assembly to the chassis holes on the side of the unit.
6. Use the enclosed chassis screws to attach the rack ear and extension assembly to the chassis. Secure firmly, do not over tighten. Attach the other rack ear to the opposite side of the unit.
7. Install the amplifier into the rack using rack rail screws and washers.
8. Disregard any additional pieces.



### Kit Contains

- (2) Rack Ears
- (4) Rack Ear Chassis Screws
- (1) Rack Extension Plate for Single Unit Mounting
- (2) Screws to Combine Extension Plate to Rack Ear
- (2) Bottom Joiner Plates
- (4) Bottom Joiner Plate Screws